

5 YEAR
WARRANTY



2026



CUPRA BORN

MODEL, SPECIFICATION AND PRICES

CONTENTS

03 → THE CUPRA
BORN

04 → SELECT
YOUR TRIM
V1
V2
VZ

08 → CONNECTED
BEYOND THE
PHYSICAL

09 → CUPRA
CONNECT

10 → SELECT
YOUR
BATTERY

11 → CHARGING
AT HOME
AND ON
THE GO

12 → SELECT
YOUR
PAINT
COLOUR

13 → EQUIPMENT

24 → OPTIONS

29 → VEHICLE
EXCISE
DUTY

30 → BENEFIT IN
KIND TAX

31 → TECHNICAL
DATA

37 → CHARGING

39 → WARRANTIES



THE CUPRA BORN

THE ELECTRIC IMPULSE
OF A GENERATION.

THE PERFECT BLEND OF
EMOTION, SPORTINESS
AND VERSATILITY.



SELECT YOUR TRIM

→ V1

→ V2

→ VZ



CUPRA Born VZ 79kWh 326PS



BORN V1

PRICE FROM £34,495 (WITH ELECTRIC CAR GRANT APPLIED)

AVAILABLE ON 58KWH AND 79KWH BATTERIES

KEY SPECIFICATION FOR THE V1 TRIM

WHEELS AND TYRES

- 19" 'STORM' machined alloy wheels in sport black with 235/45 R19 tyres

INTERIOR EQUIPMENT

- Multi-coloured interior ambient lighting
- Heated, leather-wrapped multi-function steering wheel with satellite buttons (includes regenerative paddles on 79kWh battery)
- CUPRA e-Sound

EXTERIOR EQUIPMENT

- LED headlights with adverse weather function
- LED rear combination lamp with ceremony function
- Rain-sensing wipers
- Heat-reflecting glass and acoustic windshield
- Electrically adjustable, folding and heated door mirrors

INFOTAINMENT

- 12.9" navigation system
- 10.25" digital cockpit
- CUPRA CONNECT: Safety and Service, Remote Access and Online Infotainment
- Wireless Full Link smartphone integration with mirroring technology
- Safety and Service: 10 year licence included:
 - Emergency call
 - Breakdown call
 - Service scheduling

SEATS AND TRIM

- Front sport bucket seats in black Seaqual® yarn
- Copper interior detailing
- Heated front seats

FUNCTIONAL AND MECHANICAL

- Rear view camera
- Sport suspension
- Drive Profile Selection (Range, Comfort, Performance, Individual) (CUPRA mode on 79kWh only)
- Regenerative braking with one-pedal driving

SAFETY AND SECURITY

- Adaptive cruise control with speed limiter
- Forward collision warning with automatic braking
- Attention and drowsiness assist with driver monitoring
- Lane assist
- Traffic sign recognition
- KESSY advanced with illuminated door handles
- Mobile Digital Key with physical card key

CHARGING

- Mode 3 charging cable 32A



Model shown: CUPRA Born V1 58kWh 190PS in Glacial White



INFORMATION AT YOUR FINGERTIPS VIA THE 10.25" DIGITAL COCKPIT AND 12.9" CENTRAL DISPLAY INFOTAINMENT SYSTEM

The CUPRA CONNECT services can be operated only by using available public communication technologies. Please note that due to development of these technologies, especially mobile networks, CUPRA cannot guarantee consistent availability in all countries for the duration of CUPRA CONNECT services. Possible changes in technology may cause permanent unavailability of them.



Model shown: CUPRA Born V2 58kWh 190PS in Midnight Black

BORN V2

PRICE FROM £36,545 (WITH ELECTRIC CAR GRANT APPLIED)
AVAILABLE ON 58KWH AND 79KWH BATTERIES

IN ADDITION TO THE V1 TRIM

INTERIOR EQUIPMENT

- 12-way electrically adjustable front seats
- Pneumatically adjustable lumbar support
- Massage function
- Drivers memory seat
- Rear centre armrest

EXTERIOR EQUIPMENT

- Dark tinted rear windows
- Electrically adjustable, folding and heated door mirrors with welcome light

SEATS AND TRIM

- Black Spark Dinamica front bucket seats

FUNCTIONAL AND MECHANICAL

- Top view camera
- Intelligent park assist
- Remote park assist with trained park assist

INFOTAINMENT

- Augmented-reality head-up display

SAFETY AND SECURITY

- Travel Assist 3.0: Semi-autonomous driving system, traffic jam assist and Emergency assist
- Cross road assist

→
AUGMENTED-REALITY HEAD-UP DISPLAY





BORN VZ

PRICE FROM £45,995

AVAILABLE ON 79KWH 326PS BATTERY

KEY SPECIFICATION FOR THE VZ TRIM

INCREASED POWER TO 326PS

RANGE OF UP TO 389 MILES*

WHEELS AND TYRES

- 20" 'FIRESTORM' machined alloy wheels in silver with 235/40 R20 tyres

INTERIOR EQUIPMENT

- Interior smart light
- Heated, leather-wrapped multi-function steering wheel with satellite buttons and regenerative paddles
- Heated seats
- Power seat adjustment
- Lumbar support
- Drivers memory seat

EXTERIOR EQUIPMENT

- CUPRA and VZ logo lettering in Dark Chrome
- Matrix LED headlights with active light assist and ceremony function

SEATS AND TRIM

- CUP Bucket seats in textile Turbine



Model shown: CUPRA Born VZ 79kWh 326PS in Dark Forest



FUNCTIONAL AND MECHANICAL

- Regenerative braking with one-pedal driving
- Launch control
- Top view camera
- Intelligent park assist
- Remote park assist with trained park assist

INFOTAINMENT

- Sennheiser™ Premium Audio



*The accurate range for your vehicle will vary according to a number of different factors which include the route, weather conditions, vehicle load (occupants + luggage), battery age and condition, optional equipment (alloys, tyres, etc.), the use of peripheral energy consumption systems such as heating, air conditioning and heated seats, as well as your driving style. The indicated range has been calculated in compliance with the WLTP regulation which sets out standard test conditions applicable to all car manufacturers. This ensures that the values calculated in accordance with this regulation are comparable for all vehicles.



CONNECTED BEYOND THE PHYSICAL



FORGOT WHERE YOU'VE PARKED?

Simply open the MyCUPRA app and you will be able to easily locate your vehicle in cities or large parking areas.

The GPS coordinates will give you the exact address and you are then able to navigate to it through the easy to use map.

IS MY CAR SECURE?

For those moments when you're unsure if you've locked your car.

Through the MyCUPRA app, authorised users can see and control the lock status of the doors and boot.

DETERMINE YOUR IDEAL TEMPERATURE

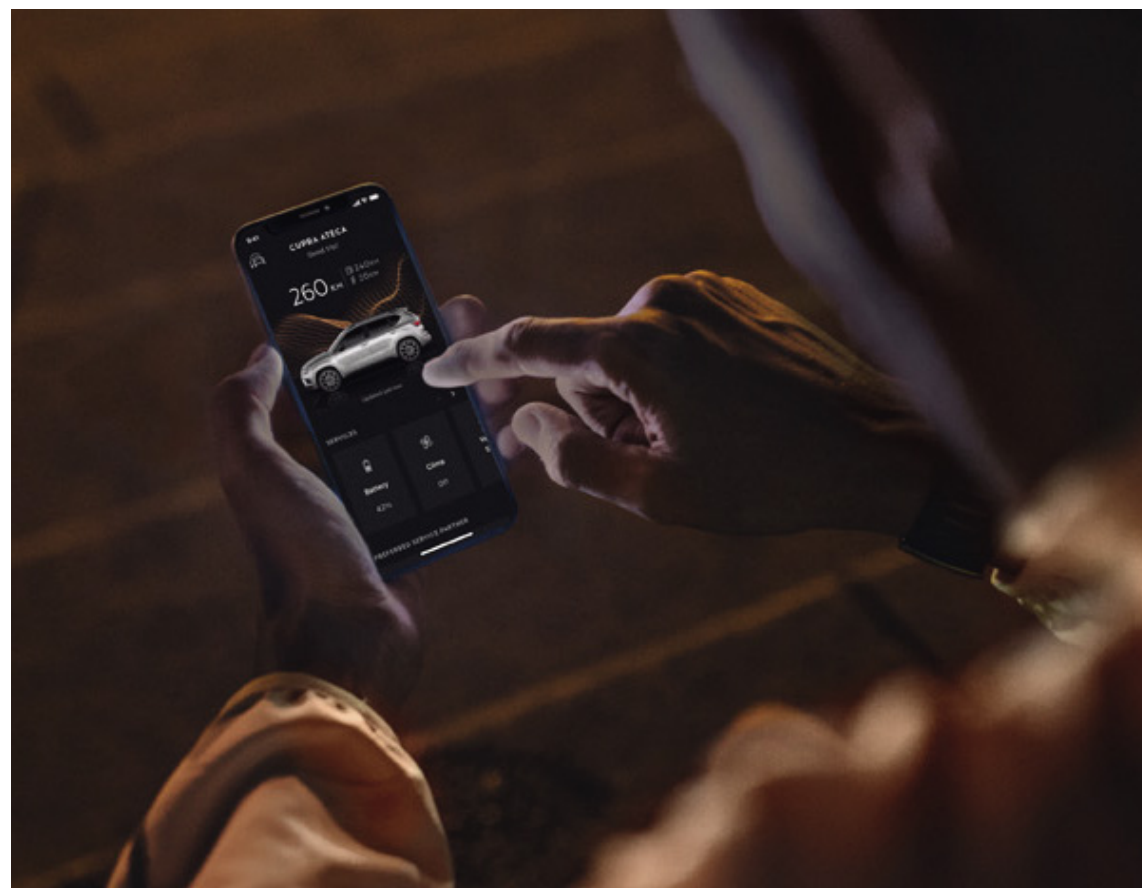
On those cold winter mornings, you'll no longer need to sit in your car while you wait for it to warm up and defrost.

With its remote temperature control, you can program the perfect temperature you want when sitting at the wheel, defrosting the windows in the process*.

CHECK THE STATUS OF YOUR CAR

Check the fuel or battery level, lights are off, windows are closed and car is locked through the app. If maintenance is due, your Preferred Service Partner will contact you.

*Feature only available on e-HYBRID and fully electric models.



TAKE YOUR CONNECTIVITY TO THE MAX

Just download the MyCUPRA app, create an account with your personal data and introduce the chassis number of your car located on the left side of the windscreen. In only a few minutes, you will have your CUPRA in the palm of your hand.

ENROL YOUR CUPRA TO CONNECT



DOWNLOAD MYCUPRA APP



PLAY STORE



APP STORE

Notes: Some features may vary depending on the vehicle's configuration and equipment.

If you have any questions, you can call us free of charge at **00800 6000 4020** or write to us at **cupradigitalsupport@cupraofficial.com** or **cupra-id-support@cupraofficial.com**



CUPRA CONNECT

Get the most out of your new CUPRA by downloading the MyCUPRA app. CUPRA CONNECT's innovative services and functions connect you with your CUPRA and the world. The app lets you connect your phone to your CUPRA and allows you to seamlessly access crucial driving data and information about your vehicle. For instance, you can check if all your car's doors are locked from wherever you are, or you can see exactly where you've parked your CUPRA.

CUPRA CONNECT offers a wide range of safety and comfort functionalities that enhance your experience in and out of your CUPRA. The standard CUPRA CONNECT services are available free for 10 years to all CUPRA owners.



CUPRA CONNECT

FREE FOR 10 YEARS

Standard CUPRA CONNECT enables access to multiple features and benefits including:

- Battery care mode
- Breakdown call
- Customer care
- CUPRA plug & charge
- CUPRA public charging
- Data plan
- E-Manager
- EV Route planner
- Internet radio
- Low voltage battery protection
- Online destination import
- Online map update
- Online POI search
- Online route import
- Online vehicle maintenance
- Parking position
- Personalisation
- Profiles & timers
- Remote lock & unlock
- Remote park assist
- Vehicle health report
- Vehicle Status
- Charging stations
- Connected travel assist
- Online route information
- Online traffic information
- Mobile Digital Key
- App Store

Please note: The availability of CUPRA CONNECT services may vary depending on your vehicle and vehicle equipment.

Connectivity of the Next-Generation "eCall" Emergency Call System ("NG eCall") is dependent on the availability of third-party services and may not be possible in some scenarios, including where telecommunications infrastructure is unable to receive or relay data transmitted by the vehicle. UK telecoms infrastructure is currently undergoing upgrades to enable compatibility with NG eCall and cannot fully support data transmitted via NG eCall until those upgrades are complete. NG eCall will operate in a limited capacity until that time and should not be relied upon exclusively in an emergency. For further information on system limitations please speak to your retailer.



SELECT YOUR BATTERY

	COMBINED RANGE (MILES)***	WLTP CO ₂ G/KM	INSURANCE GROUP (1-50)	BIK 2026/27*	BASE PRICE (EXCL. VAT)	VAT @ 20.0%	RETAIL PRICE (P11D VALUE)	1ST YEAR RFL RATE 2026/27	1ST REG FEE 2026/27	RECOMMENDED ON THE ROAD PRICE	RECOMMENDED ON THE ROAD PRICE WITH ECG DEDUCTED
CUPRA Born V1 58 kWh 190PS	Up to 300	0	TBC	4%	£29,941.67	£5,988.33	£35,930.00	£10.00	£55.00	£35,995.00	£34,495.00
CUPRA Born V1 79 kWh 231PS	Up to 389	0	TBC	4%	£30,775.00	£6,155.00	£36,930.00	£10.00	£55.00	£36,995.00	£35,495.00
CUPRA Born V2 58 kWh 190PS	Up to 297	0	TBC	4%	£31,650.00	£6,330.00	£37,980.00	£10.00	£55.00	£38,045.00	£36,545.00
CUPRA Born V2 79 kWh 231PS	Up to 385	0	TBC	4%	£33,275.00	£6,655.00	£39,930.00	£10.00	£55.00	£39,995.00	£38,495.00
CUPRA Born VZ 79 kWh 326PS	Up to 389	0	TBC	4%	£38,275.00	£7,655.00	£45,930.00	£10.00	£55.00	£45,995.00	-

*BIK value is based on WLTP CO₂ and applicable from 01/07/26.

***The accurate range for your vehicle will vary according to a number of different factors which include the route, weather conditions, vehicle load (occupants + luggage), battery age and condition, optional equipment (alloys, tyres, etc.), the use of peripheral energy consumption systems such as heating, air conditioning and heated seats, as well as your driving style. The indicated range has been calculated in compliance with the WLTP regulation which sets out standard test conditions applicable to all car manufacturers. This ensures that the values calculated in accordance with this regulation are comparable for all vehicles.

The Recommended 'On The Road' price includes delivery charge to Retailer and number plates, one year's Road Fund Licence at the 1st year rate, and the new vehicle registration fee (£55). VAT is calculated at 20.0%. CUPRA may change RRP's at any time (this includes where there are government changes in regulation and/or legislation). There may be a delay to any RRP displaying correctly on our materials. Always obtain prices from your chosen CUPRA Retailer. Figures shown are for comparability purposes; only compare fuel consumption and CO₂ figures with other vehicles tested to the same technical procedures. These figures may not reflect real life driving results, which will depend upon a number of factors including the accessories fitted (post-registration), variations in weather, driving styles and vehicle load. Data correct at 01/07/2026. Figures quoted are for a range of configurations and are subject to change due to ongoing approvals/changes.

The Electric Car Grant is a UK Government grant to promote the purchase of certain new electric vehicles. The grant is not exclusive to Volkswagen Group United Kingdom Limited. Selected CUPRA Born models are eligible for this Grant within Band 2, meaning eligible customers purchasing a qualifying vehicle will receive £1,500 off the purchase price. The grant is available when purchasing CUPRA Born V1 or V2 models. The £1,500 will be automatically deducted from the purchase price for your vehicle on the retail invoice. Any discount or offer will be applied before application of the grant. Your authorised CUPRA Retailer will submit the details of your order in order to claim the grant funding. The grant is subject to full T&Cs and eligibility requirements and may be replaced, withdrawn or amended by the UK Government at any time. For more information, please contact your CUPRA Retailer or visit <https://www.gov.uk/plug-in-vehicle-grants>

Cannot be claimed retrospectively against previous orders. No cash alternative. UK only (excludes Channel Islands and Isle of Man). Vehicle must be registered in the UK and customer must pay UK VAT on purchase. Vehicle eligibility and grant figure correct as at 01/07/26.



CHARGING AT HOME AND ON THE GO

CHARGING AT HOME

Charging your new CUPRA Born at home is likely to become part of your everyday routine, so we've made it simple.

There are two options for home charging, either via a traditional three-pin plug or a specially installed wallbox (the Mode 3 DC cable is standard equipment). Ohme is CUPRA's recommended supplier to install a wallbox at your home and guide you through the complete home charging journey. Ohme have a range of chargers with features such as smart scheduling to charge your CUPRA when the electricity rates are at their lowest.

KNOW YOUR POWER SUPPLIES

AC – Alternating Current
DC – Direct Current

WHY DO WE RECOMMEND A WALLBOX IS INSTALLED TO CHARGE YOUR CUPRA BORN?

While a three-pin socket can charge your new CUPRA Born at home, a home wallbox is recommended due to the high energy demands and the significantly faster charge time. A 7.2kW wallbox can charge your CUPRA Born three times faster than with a three-pin plug. A home wallbox installed by an accredited installer like Ohme ensures that your car receives a full night of uninterrupted fast charge.

CHARGING ON THE GO

While you're out on the road, you can choose from a number of public charging points to top up your new CUPRA Born. Zapmap is a great website (zap-map.com) to locate suitable chargers across the UK.

COMBINED CHARGING SYSTEM (CCS)

AC and DC rapid charging is available at most public charging stations. Rapid chargers are the fastest way to charge an EV vehicle and often found in motorway services or in locations close to main roads. The CUPRA Born is equipped with CCS, which supplies high power direct or alternating current (DC/AC) to charge a battery to 80% quickly.

REGENERATIVE BRAKING

This is the recovery of energy usually lost when braking. CUPRA Born optimises braking energy to prolong its battery life and not reduce your range.



SELECT YOUR PAINT COLOUR

STANDARD



V1 | V2 | VZ

METALLIC



V1 | V2 | VZ



V1 | V2 | VZ

SPECIAL



V1 | V2 | VZ



V1 | V2 | VZ



VZ



WHEELS AND TYRES

	V1	V2	VZ
19" 'STORM' machined alloy wheels in sport black with 235/45 R19 tyres	▼	▼	-
20" 'FIRESTORM' machined alloy wheels in silver with 235/40 R20 tyres	-	-	▼
Tool kit (with Tirefit)	▼	▼	▼
Tyre pressure monitoring system	▼	▼	▼



EXTERIOR EQUIPMENT

	V1	V2	VZ
Electrically adjustable, folding and heated door mirrors	▼	-	-
Electrically adjustable, folding and heated door mirrors with welcome light	-	▼	▼
Windshield wiper with light/rain sensor	▼	▼	▼
Heat-reflecting glass and acoustic windshield	▼	▼	▼
Full LED headlights with adverse weather function	▼	▼	-
Matrix LED headlights with active light assist and ceremony function	-	-	▼
LED rear combination lamp with ceremony function	▼	▼	▼
Dark tinted rear windows	-	▼	▼
Exterior VZ lettering	-	-	▼

▼ STANDARD | ▽ OPTIONAL | - NOT AVAILABLE



INFOTAINMENT

	V1	V2	VZ
CUPRA CONNECT: Safety and Service, Remote Access and Online Infotainment			
<ul style="list-style-type: none"> Safety and Service: 10 year licence included: Emergency call, Breakdown call, Service scheduling Remote Access: Battery charge, Remote climatisation, Remote profiles and timers, Online infotainment, Online traffic information, Online map update, Online route calculation, Dynamic POI, Online voice assistant 	▼	▼	▼
12.9" central infotainment system with Android Operating System	▼	▼	▼
e-Call Service	▼	▼	▼
7 infotainment speakers	▼	▼	-
Sennheiser™ premium audio	-	▽	▼
10.25" Digital Cockpit	▼	▼	▼
Voice assistant	▼	▼	▼

The CUPRA CONNECT services can be operated only by using available public communication technologies. Please note that due to development of these technologies, especially mobile networks, CUPRA cannot guarantee consistent availability in all countries for the duration of CUPRA CONNECT services. Possible changes in technology may cause permanent unavailability of them.

Connectivity of the Next-Generation "eCall" Emergency Call System ("NG eCall") is dependent on the availability of third-party services and may not be possible in some scenarios, including where telecommunications infrastructure is unable to receive or relay data transmitted by the vehicle. UK telecoms infrastructure is currently undergoing upgrades to enable compatibility with NG eCall and cannot fully support data transmitted via NG eCall until those upgrades are complete. NG eCall will operate in a limited capacity until that time and should not be relied upon exclusively in an emergency. For further information on system limitations please speak to your retailer.

▼ STANDARD | ▽ OPTIONAL | - NOT AVAILABLE



INFOTAINMENT

	V1	V2	VZ
Augmented-reality head-up display	-	▼	▼
Two front and two rear USB sockets (rear two are charge only)	▼	▼	▼
Wireless Full Link smartphone integration with mirroring technology	▼	▼	▼
Wireless Charger	▼	▼	▼
Bluetooth	▼	▼	▼
DAB (Digital Audio Broadcasting) and AM/FM radio	▼	▼	▼



INTERIOR EQUIPMENT

	V1	V2	VZ
Aluminium pedals	▼	▼	▼
Multi-coloured interior ambient lighting	▼	▼	-
Interior Smart Light	-	▽	▼
Climatronic dual-zone air conditioning	▼	▼	▼
Electric auxiliary air heater	▼	▼	▼
Heated, leather-wrapped multi-function steering wheel with satellite buttons	▼ (58kWh)	▼ (58kWh)	-
Heated, leather-wrapped multi-function steering wheel with satellite buttons and regenerative paddles	▼ (79kWh)	▼ (79kWh)	▼
CUPRA emblem on steering wheel	▼	▼	▼
Auto-dimming rear view mirror	▼	▼	▼
CUPRA e-Sound	▼	▼	▼

▼ STANDARD | ▽ OPTIONAL | - NOT AVAILABLE



SEATS AND TRIM

	V1	V2	VZ
Seaqual® Yarn seat trim – manual adjustments for front seats	▼	-	-
Black Grey Dinamica® front bucket seats; 12 way electrically adjustable, pneumatically adjustable lumbar support and massage function with drivers memory seat	-	▼	-
CUP Bucket seats in textile Turbine; power seat adjustment, lumbar support and memory feature	-	-	▼
Unsplit rear seat bench, split folding backrest, without centre armrest	▼	-	-
Unsplit rear seat bench, split folding backrest, with centre armrest	-	▼	▼
Heated front seats	▼	▼	▼



FUNCTIONAL AND MECHANICAL

	V1	V2	VZ
Lane assist	▼	▼	▼
Adaptive cruise control	▼	▼	▼
Park distance control in front and rear	▼	▼	▼
Drive profile selection (Range, Comfort, Performance, Individual) (CUPRA mode on 79kWh only)	▼	▼	▼
Launch control	▼ (79kWh)	▼ (79kWh)	▼ (79kWh)
Sun visors with illuminated mirror	▼	▼	▼
Dynamic steering	▼	▼	▼
Shock absorption in front	▼	▼	▼



FUNCTIONAL AND MECHANICAL

	V1	V2	VZ
Sports rear shock absorption	▼	▼	▼
Dynamic chassis control suspension front and rear	-	-	▼
Traffic sign recognition	▼	▼	▼
Rear view camera	▼	▼	▼
Top view camera (4 camera: 2 front and rear + 2 side cameras)	-	▼	▼
Intelligent park assist	-	▼	▼
Remote park assist with trained park assist	-	▼	▼
Regenerative braking with one-pedal driving	▼	▼	▼



SAFETY AND SECURITY

	V1	V2	VZ
KESY advanced with illuminated door handles	▼	▼	▼
Mobile Digital Key	▼	▼	▼
Physical card key for digital key	▼	▼	▼
Attention and drowsiness assist with driver monitoring	▼	▼	▼
Anti-theft alarm system, interior monitoring, backup horn, and towing protection	▼	▼	▼
3-point seatbelts	▼	▼	▼
Electronic immobilizer	▼	▼	▼
Driver and front passenger airbags with front passenger airbag deactivation, side airbag in front with curtain airbag	▼	▼	▼
Visual and acoustic seatbelt reminder	▼	▼	▼
Emergency steering support with turn assist	▼	▼	▼



SAFETY AND SECURITY

	V1	V2	VZ
ISOFIX points in outer rear seats with top tether anchorage points	▼	▼	▼
Wheel bolts with anti-theft protection	▼	▼	▼
Travel Assist 3.0: Semi-autonomous driving system, traffic jam assist and emergency assist	-	▼	▼
Cross road assist	-	▼	▼
Rear traffic alert and lane change system with exit warning system	▼	▼	▼
Forward collision warning with automatic braking	▼	▼	▼
Extended safety system: proactive passenger protection system	▼	▼	▼



CHARGING TECHNOLOGY

	V1	V2	VZ
Gear ratio 10.213	▼ (58kWh)	▼ (58kWh)	-
Gear ratio 11.530	▼ (79kWh)	▼ (79kWh)	-
Gear ratio 7.915	-	-	▼
11 kW AC charging capacity	▼	▼	▼
Charging cable mode 3, type 2/3, 32 A	▼	▼	▼
Vehicle to Load (V2L) capability	▼	▼	▼
105kW DC charging capacity (on 58kWh battery only)	▼	▼	-
183kW DC charging capacity (on 79kWh battery only)	▼	▼	▼



WHEELS AND TYRES

	V1	V2	VZ	BASIC PRICE	VAT @20%	RECOMMENDED RETAIL PRICE
19" 'STORM' machined alloy wheels in sport black with all season tyres	▽	▽	-	£150.00	£30.00	£180.00
19" 'STORM' machined alloy wheels in glossy black with details in copper	▽	▽	-	£354.17	£70.83	£425.00
19" 'STORM' machined alloy wheels in glossy black with details in copper with all season tyres	▽	▽	-	£504.17	£100.83	£605.00
20" 'FIRESTORM' machined alloy wheels in glossy black with details in copper with performance tyres	-	-	▽	£329.17	£65.83	£395.00
20" 'TORNADO' forged alloy wheels in glossy black with performance tyres	-	-	▽	£816.67	£163.33	£980.00



SEATS AND TRIM

	V1	V2	VZ	BASIC PRICE	VAT @20%	RECOMMENDED RETAIL PRICE
Enceladus Grey Dinamica® Bucket Seats	-	▽	-	£0.00	£0.00	£0.00

EXTERIOR EQUIPMENT

	V1	V2	VZ	BASIC PRICE	VAT @20%	RECOMMENDED RETAIL PRICE
Skyline – Panoramic Sunroof	▽	▽	▽	£845.83	£169.17	£1,015.00
Matrix LED headlights with active light assist and ceremony function	-	▽	▼	£483.33	£96.67	£580.00
Bike rack towing hook	▽	▽	▽	£891.67	£178.33	£1,070.00



INTERIOR EQUIPMENT

	V1	V2	VZ	BASIC PRICE	VAT @20%	RECOMMENDED RETAIL PRICE
Cargo Pack (double boot floor)	▽	▽	▽	£133.33	£26.67	£160.00
Heat pump	▽	▽	▽	£800.00	£160.00	£960.00
Sennheiser™ premium audio	-	▽	▼	£504.17	£100.83	£605.00



PAINT

		V1	V2	VZ	BASIC PRICE	VAT @ 20%	RECOMMENDED RETAIL PRICE
STANDARD PAINT	Glacial White	▼	▼	▼	£0.00	£0.00	£0.00
METALLIC PAINT	Timanfaya Grey	▽	▽	▽	£583.33	£116.67	£700.00
	Midnight Black	▽	▽	▽	£583.33	£116.67	£700.00
SPECIAL PAINT	Aurora Blue	▽	▽	▽	£845.83	£169.17	£1,015.00
	Vapor Grey	▽	▽	▽	£845.83	£169.17	£1,015.00
	Dark Forest	-	-	▽	£845.83	£169.17	£1,015.00



UPHOLSTERY

	V1	V2	VZ	BASIC PRICE	VAT @ 20%	RECOMMENDED RETAIL PRICE
Black Seaqual® Yarn	▼	-	-	£0.00	£0.00	£0.00
Black Spark Dinamica®	-	▼	-	£0.00	£0.00	£0.00
Enceladus Grey Dinamica®	-	▽	-	£0.00	£0.00	£0.00
Textile TURBINE CUP bucket seats with sides in PVC Enceladus Grey and embroidered CUPRA logo in headrest	-	-	▼	£0.00	£0.00	£0.00



VEHICLE EXCISE DUTY

All new vehicles are subject to a form of Vehicle Excise Duty (VED) based on the type of fuel the vehicle uses and its carbon dioxide (CO₂) emission level, measured in grams per kilometre (g/km). This table illustrates the duty you will pay based on the DVLA bandings.

The standard rate for Petrol, Diesel and Alternative Fuel Vehicles is £200. Please be aware vehicles with a list price (RRP), including options, higher than £40,000* will incur an additional £440 a year in vehicle tax.

*Please note, as a result of the Budget 2025, the VED Expensive Car Supplement (ECS) threshold for zero-emission cars increases from £40,000 to £50,000. This means that zero-emission cars with a list price which exceeds £40,000, but does not exceed £50,000, will no longer be required to pay the ECS charge when they take out a licence which comes into effect on or after 1 April 2026 which is not a first vehicle licence. The threshold will be maintained at its current level of £40,000 for all other cars.

For full details please refer to gov.uk/vehicle-tax-rate-tables

For full details on the VED ECS threshold increase, please refer to [GOV.UK](https://gov.uk)



12-MONTH ROAD FUND LICENCE (RFL) RATE FOR PETROL AND ALTERNATIVE FUEL VEHICLES

CO ₂ g/km	1ST YEAR RATE
0	£10
1	£115
51	£135
76	£280
91	£365
101	£405
111	£455
131	£560
151	£1,410
171	£2,270
191	£3,420
226	£4,850
256	£5,690

CARS REGISTERED ON OR AFTER 1 APRIL 2026



BENEFIT IN KIND TAX

HOW TO CALCULATE YOUR LIABILITY

The BIK percentage value is based on the CO₂ emissions of the vehicle for the current tax year 2026/27.



BIK CALCULATION EXAMPLE: CUPRA BORN V1 58KWH 190PS

P11D value (Recommended On The Road Price less RFL and first registration fee)	£35,930.00
--	------------

WLTP CO ₂ emissions (g/km)	0
---------------------------------------	---

Company car BIK tax based on CO ₂ emission level	4%
---	----

Taxable BIK (for 2026/27 tax year): 4% of £35,930.00	£1,437.20
---	-----------

ANNUAL COMPANY CAR TAX 2026/27 (@20% INCOME TAX)

20% of £1,437.20	£287.44 per annum
------------------	-------------------

MONTHLY COMPANY CAR TAX 2026/27 (@20% INCOME TAX)

£287.44 divided by 12	£23.96 per month
-----------------------	------------------



BATTERY

	58 KWH 190PS (V1, V2)	79 KWH 231PS (V1, V2)	79 KWH 326PS (VZ)
Type (cylinders / valves per cylinder)	Permanent magnet synchronous electric motor	Permanent magnet synchronous electric motor	Permanent magnet synchronous electric motor
Maximum power (kW (PS) / rpm) ¹	140 (190) / 5300-7000	170 (231) / 5300-7000	240 (326) / 5300-7000
Maximum torque (Nm / rpm)	350 / 0-5000	350 / 0-5000	545 / 0-5000
Fuel supply system	LFP battery	NMC battery	NMC battery
Fuel type	Electric	Electric	Electric

1. The maximum power output figures are quoted in PS (or Pferdestärke, which is the metric equivalent of horsepower). To convert from metric to imperial horsepower, divide the PS by 1.0139.



TRANSMISSION AND PERFORMANCE

	58 KWH 190PS (V1, V2)	79 KWH 231PS (V1, V2)	79 KWH 326PS (VZ)
Gearbox type	EQ314-1P	EQ314-1P	EQ550-1P
Maximum power (kW/PS) ¹	140 (190)	170 (231)	240 (326)
Maximum speed (km/h)	160	160	200
Maximum speed (mph) ²	99	99	124
Acceleration 0-62mph (s) (0-100 km/h (s))	8.0	7.0	5.6

1. The maximum power output figures are quoted in PS (or Pferdestärke, which is the metric equivalent of horsepower).
To convert from metric to imperial horsepower, divide the PS by 1.0139.
2. Where law permits.



BATTERY

	58 KWH 190PS (V1, V2)	79 KWH 231PS (V1, V2)	79 KWH 326PS (VZ)
Battery type	LFP battery	NMC battery	NMC battery
Battery voltage (v)	240-305	240-408	240-408
Battery capacity (net / gross) (kw/h)	58 / 61	79 / 84	79 / 84
Battery cells	208	192	192
Charge type (AC/DC)	AC / DC	AC / DC	AC / DC
Charging time AC 11kW 0-100%	6hrs 30 mins	8hrs 30 mins	8hrs 30 mins
Charging time DC 105kW 10-80%	26 mins	-	-
Charging time DC 183kW 10-80%	-	29 mins	29 mins



ELECTRIC CONSUMPTION³ (WLTP)

	58 KWH 190PS (V1, V2)	79 KWH 231PS (V1, V2)	79 KWH 326PS (VZ)
Electric consumption combined WLTP (Wh/km)	142.5-143.9	144.4-145.7	142.6
Electric range WLTP (km)	479-484	620-627	626-631
Electric range WLTP (miles)	297-300	385-389	389-392

³. Figures shown are for comparability purposes; only compare fuel consumption and CO₂ figures with other vehicles tested to the same technical procedures. These figures may not reflect real life driving results, which will depend upon a number of factors including the accessories fitted (post-registration), variations in weather, driving styles and vehicle load. Data correct at 05/2026. For full details on fuel consumption, CO₂ figures and VED bands (Vehicle Excise Duty) please see page 29. Figures quoted are for a range of configurations and are subject to change due to ongoing approvals/changes.



CHASSIS AND BRAKING SYSTEM

58 KWH 190PS (V1, V2)

79 KWH 231PS (V1, V2)

79 KWH 326PS (VZ)

Front suspension

Independent type McPherson – coil springs – hydraulic dampers – stabilising bar

Rear suspension

Multilink axle – coil springs – hydraulic dampers – stabilising bar

Steering system

EPS (Electric Power Steering) with variable ratio

Turning circle diameter [wall to wall] (m)

10.5

Anti-lock Braking System (ABS)

ABS, ESC, electromechanical brake booster and regenerative braking

Type (front / rear)

Ventilated front brakes / drum brakes in rear axle

Front discs (mm)

340 x 27

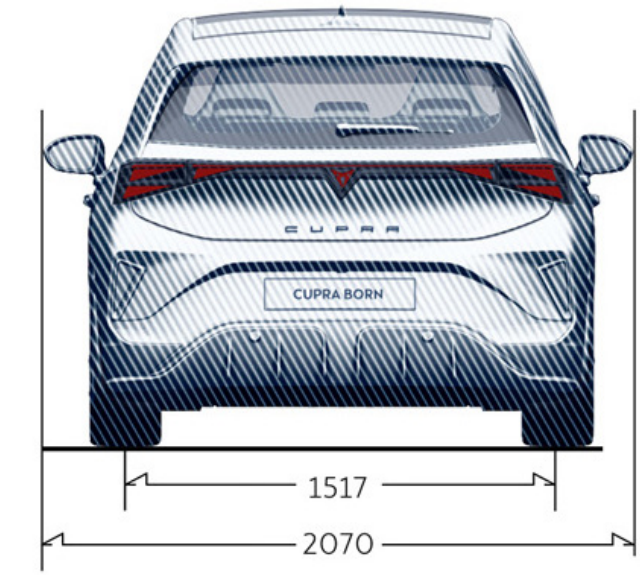
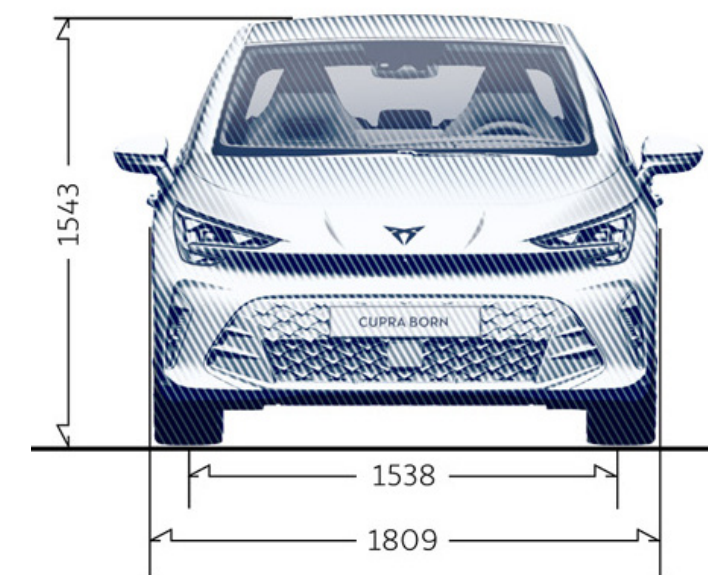
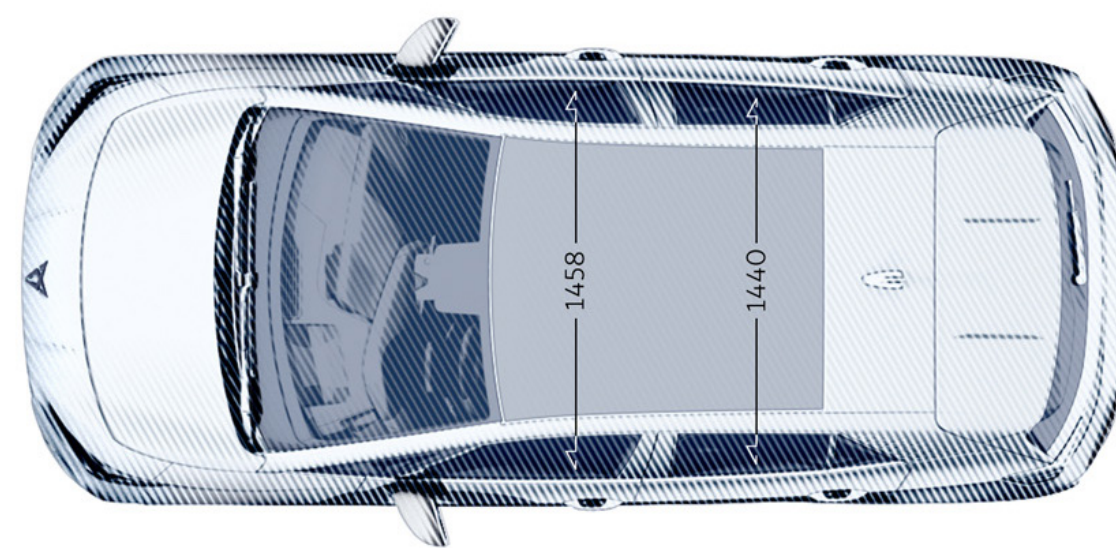
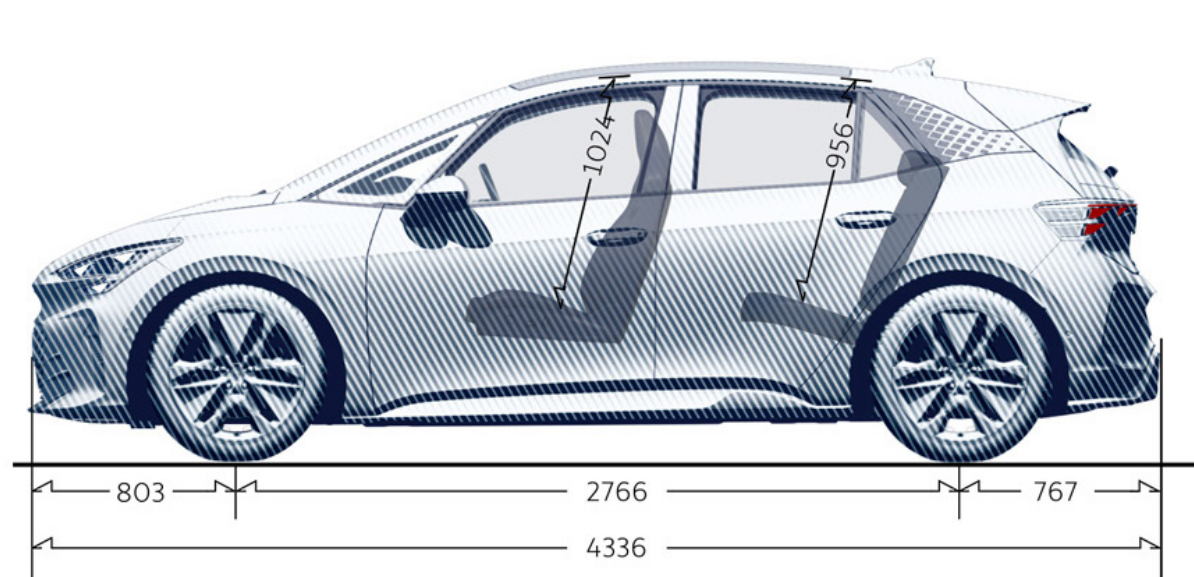
Rear discs (mm)

280



WEIGHTS AND DIMENSIONS

	58 KWH 190PS (V1, V2)	79 KWH 231PS (V1, V2)	79 KWH 326PS (VZ)
Kerb weight [with driver] (kg)	1899	1964	2004
Permissible gross weight (kg)	2360	2420	2430
Boot capacity (l)	385	385	385
Number of seats	5	5	5





BATTERY

	58 kWh	79 kWh
Energy (gross)	61 kWh	84 kWh
Energy (net)	58 kWh	79 kWh

FAST CHARGING (DC)

	58 kWh	79 kWh
Charging time DC 105 kW 10-80% SOC	26 mins	-
Charging time DC 183 kW 10-80% SOC	-	29 mins

CHARGING TIME (AC)

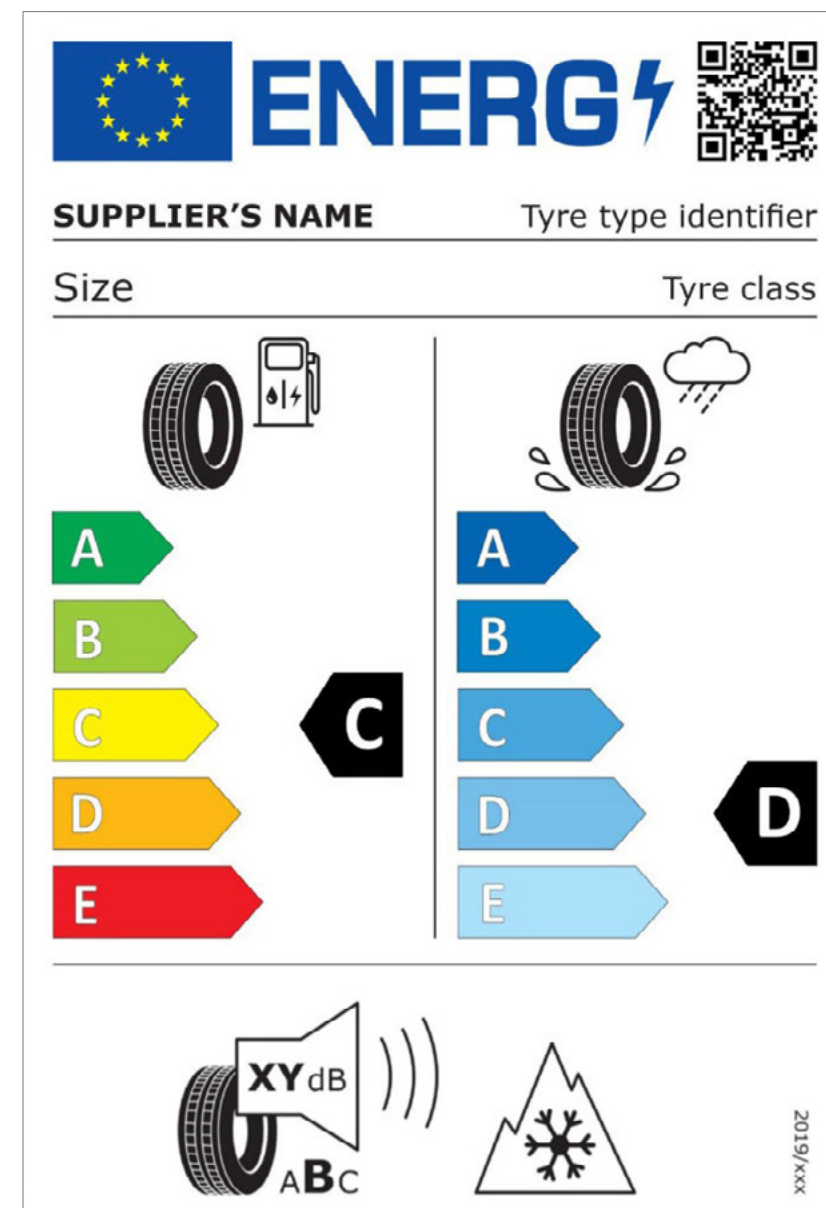
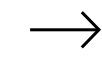
	58 kWh	79 kWh
Charging time AC 11 kW 0-100% SOC	6:30h	8:30h



YOUR TYRE LABEL

They may not be the first part of your CUPRA you notice, but your tyres play a vital role in keeping you on the road. Your EU tyre label tells you everything you need to know. Due to the variation of tyres that may be fitted during production, the configurator will show multiple tyre labels. It is not possible to select a specific tyre when ordering a vehicle.

You'll see more in-depth information on your tyres while configuring your car. Click [here](#) to start building your CUPRA now.



ENERGY EFFICIENCY

This is a measure of 'rolling resistance' – in other words, the amount of energy lost through motion. The lower the rolling resistance, the lower your energy consumption, with tyres rated as Class-A being the most efficient.

WET GRIP

Rigorous testing ensures your tyres give great handling and performance in all conditions. Wet grip specifically measures how well you can brake in wet conditions, with Grade-A giving the shortest stopping distance.

EXTERNAL NOISE

Tyres are carefully measured so you know exactly how much noise they'll make while driving. If decibels don't mean a lot to you, don't worry. Each tyre also falls into a noise Class-A being the quietest and C the loudest.



WARRANTIES

FIVE-YEAR MANUFACTURER WARRANTY

All new CUPRA's ordered on or after 03/04/2024 in the UK, come with a five-year/90,000 mile warranty, which protects your car against the failure of most mechanical and electrical components due to manufacturing defects. This comprises a two-year manufacturer's warranty with unlimited mileage, plus a further three years up to a maximum of 90,000 miles (whichever is soonest).

BATTERY WARRANTY

The batteries for battery electric vehicles (BEVs) are warranted against all defects in materials and workmanship for eight years or up to 100,000 miles, whichever comes first.

A gradual reduction in battery energy content over time is a normal feature of high voltage battery and does not constitute a warrantable defect. For BEVs, the battery energy content degradation warranty lasts for eight years or up to 100,000 miles, whichever comes first. Where the battery energy content of the high voltage battery is measured by a CUPRA authorised repairer and is found to be less than 70% during the warranty period, then it will be repaired or replaced under warranty subject to conditions. For full details, please go to the CUPRA UK website.

THREE-YEAR PAINT WARRANTY

The paintwork of all models featured in this price list is covered against manufacturing defects for a period of three years. Naturally, the vehicle must be cared for in compliance with the operating instructions which will be found in your vehicle handbook. Please consult your authorised CUPRA Retailer or repairer for full warranty details.

TWELVE-YEAR BODY PROTECTION WARRANTY

The internal body sections and panels of the models featured in this price list are covered against corrosion originating from internal cavities for twelve years. Naturally, the vehicle must be cared for in compliance with the operating instructions which will be found in your vehicle handbook. Please consult your authorised CUPRA Retailer or repairer for full warranty details.

CUPRA PARTS WARRANTY

CUPRA parts and accessories supplied after new vehicle delivery are covered by our 24-month parts warranty.

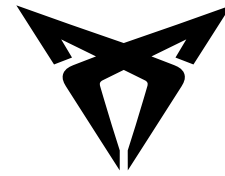


CUPRA ROADSIDE ASSISTANCE (INCLUDING EUROPEAN COVER)

Any new CUPRA purchased and registered in the UK from an authorised CUPRA Retailer, is covered free by CUPRA Assistance (including European cover) for roadside repairs or recovery to an authorised repairer for a term of one year. Terms and conditions apply.

SPECIFICATIONS

Specifications refer to Model Year 2027. While CUPRA makes every effort to make sure that specifications are accurate at time of going to press (07/2026), you should always check details with your CUPRA Retailer as there may have been changes in view of CUPRA's policy of continuous product improvement. The right is reserved to change specification and colour at any time. The information in this price list can therefore be given as guidance only.



CUPRA is committed to a policy of continuous product development and reserves the right to make changes to specifications, colours and prices without notice. The information in this brochure can therefore be given as guidance only. While CUPRA makes every effort to ensure that specifications are accurate at the time of publication, you should always check with your authorised CUPRA Retailer for the latest information. Due to limitations of the printing process, the colours reproduced in this brochure may vary slightly from the actual paint colour and material. This vehicle and all its parts, as well as the original spares, were designed according to the Legal Regulations governing the prevention and minimisation of Environmental Impact, through the use of recycled/recyclable materials, with measures taken to achieve suitable recycling for the conservation and improvement of environmental quality.

Published in the UK, July 2026

12474157_072026

CUPRA