

**5** YEAR  
WARRANTY



BEYOND REBEL  
**SAVAL**



NEW CUPRA  
**SAVAL**

100% ELECTRIC

MODEL, SPECIFICATION AND PRICES

JUNE 2026

# CONTENTS

03 → THE CUPRA  
RAVAL

04 → SELECT  
YOUR TRIM  
ORIGIN  
V1  
V2  
V2 LAUNCH EDITION  
VZ  
VZ EXTREME

11 → CONNECTED  
BEYOND THE  
PHYSICAL

12 → CUPRA  
CONNECT

13 → SELECT  
YOUR  
BATTERY

14 → CHARGING  
AT HOME  
AND ON  
THE GO

15 → SELECT  
YOUR  
PAINT  
COLOUR

16 → EQUIPMENT

30 → OPTIONS

37 → VEHICLE  
EXCISE  
DUTY

38 → BENEFIT IN  
KIND TAX

39 → TECHNICAL  
DATA

47 → CHARGING

49 → WARRANTIES



# THE CUPRA RAVAL

THERE IS A NEW REBEL  
IN THE CITY.

EMOTIONAL,  
REBELLIOUS,  
ICONIC.

CRAFTED WITH URBAN DNA  
AND A GROUNDBREAKING  
ELECTRIC DESIGN.



# SELECT YOUR TRIM

- ➔ ORIGIN
- ➔ V1
- ➔ V2
- ➔ V2 LAUNCH EDITION
- ➔ VZ
- ➔ VZ EXTREME





# RAVAL ORIGIN

AVAILABLE ON 37KWH 115PS

PRICE FROM £23,785

## KEY SPECIFICATION FOR THE ORIGIN TRIM



→  
**MODEL SHOWN: CUPRA RAVAL ORIGIN**



↑ **17" ALLOY WHEELS**

### WHEELS AND TYRES

- 17" alloy wheels with 215/55 R17 92T tyres

### EXTERIOR EQUIPMENT

- Electrically adjustable, manual folding and heated door mirrors
- Windshield wiper with light / rain sensor
- Heat-reflecting glass
- Full LED headlights with high-beam assist
- 3D LED rear combination lamp with ceremony function and illuminated logo

### INTERIOR EQUIPMENT

- Climatronic single-zone air conditioning
- Leatherette-wrapped multi-function steering wheel

### INFOTAINMENT

- CUPRA CONNECT: Safety and Service, Remote Access and Online Infotainment
- 10.25" Digital Cockpit with 12.9" Android automotive central display infotainment system
- 'OneInfotainment' with basic app store access
- 7 speakers
- Two front USB type C sockets
- Wireless Full Link smartphone integration with mirroring technology
  - Apple CarPlay
  - Android Auto
- Bluetooth
- DAB (Digital Audio Broadcasting) and AM/FM radio
- e-Call Service

### SEATS AND TRIM

- PULSE Sport comfort seats in textile – manual adjustment

### FUNCTIONAL AND MECHANICAL

- Adaptive cruise control
- Rear park sensors
- Drive Profile Selection (Range, Comfort, Performance, CUPRA, Individual)
- Traffic sign recognition
- Sport suspension front and rear

### SAFETY AND SECURITY

- Remote central locking system with Keyless Go
- Two physical keys
- Attention and drowsiness assist with driver monitoring
- Anti-theft alarm system, interior monitoring, backup horn, and towing protection
- Driver and front passenger airbags with front passenger airbag deactivation, side airbag in front with curtain airbag and interaction airbag in front
- Emergency steering support with turn assist
- Lane keeping system plus semi-automatic vehicle control in a medical emergency
- Front cross traffic assist
- Rear traffic alert and lane change system with exit warning system
- Forward collision warning with warning and braking reaction to vehicles, pedestrians and cyclists

The CUPRA CONNECT services can be operated only by using available public communication technologies. Please note that due to development of these technologies, especially mobile networks, CUPRA cannot guarantee consistent availability in all countries for the duration of CUPRA CONNECT services. Possible changes in technology may cause permanent unavailability of them.



MODEL SHOWN: →  
CUPRA RAVAL IN  
FIORD BLUE PAINT



# RAVAL V1

AVAILABLE ON 37KWH AND 52KWH BATTERIES

PRICE FROM £26,995

V1 ON 52KWH BATTERY £28,495 (WITH ELECTRIC CAR GRANT APPLIED)

RANGE UP TO 275 MILES\*

## IN ADDITION TO ORIGIN

### WHEELS AND TYRES

- 18" 'DEFIER' alloy wheels with 215/50 R18 92T tyres

### EXTERIOR EQUIPMENT

- Electrically adjustable, folding and heated door mirrors with welcome light
- Dark tinted rear windows
- Illuminated door handles

## INTERIOR EQUIPMENT

- Heated, leather-wrapped multi-function steering wheel with satellite buttons (37kw)
- Heated, leather-wrapped multi-function steering wheel with satellite buttons and paddles for regenerative braking adjustment (52kw)
- Climatronic dual-zone air conditioning

## INFOTAINMENT

- CUPRA CONNECT Online services
- Premium Data Plan (20 GB per month)
- Navigation on 'OneInfotainment' with full app store access
- Voice assistant
- Two front and two rear USB type C shared 90W sockets (rear two are charge only)
- Wireless phone charger 15W

## SEATS AND TRIM

- Heated front seats

## FUNCTIONAL AND MECHANICAL

- Front and rear park sensors
- Rear view camera

## SAFETY AND SECURITY

- KESSY Advanced (Keyless Entry and Go)
- Mobile Digital Key – up to 5 including main user + one SmartCard
- One physical key

↓ 18" 'DEFIER' ALLOY WHEELS





MODEL SHOWN: →  
CUPRA RAVAL  
V2 IN CENTURY  
BRONZE PAINT



# RAVAL V2

AVAILABLE ON 37KWH AND 52KWH BATTERIES

PRICE FROM £29,995

V2 ON 52KWH BATTERY £31,080 (WITH ELECTRIC CAR GRANT APPLIED)

RANGE UP TO 273 MILES\*

IN ADDITION TO THE V1 TRIM

## WHEELS AND TYRES

- 19" 'MAVERICK' machined Sport silver and black alloy wheels with 235/40 R19 96H tyres

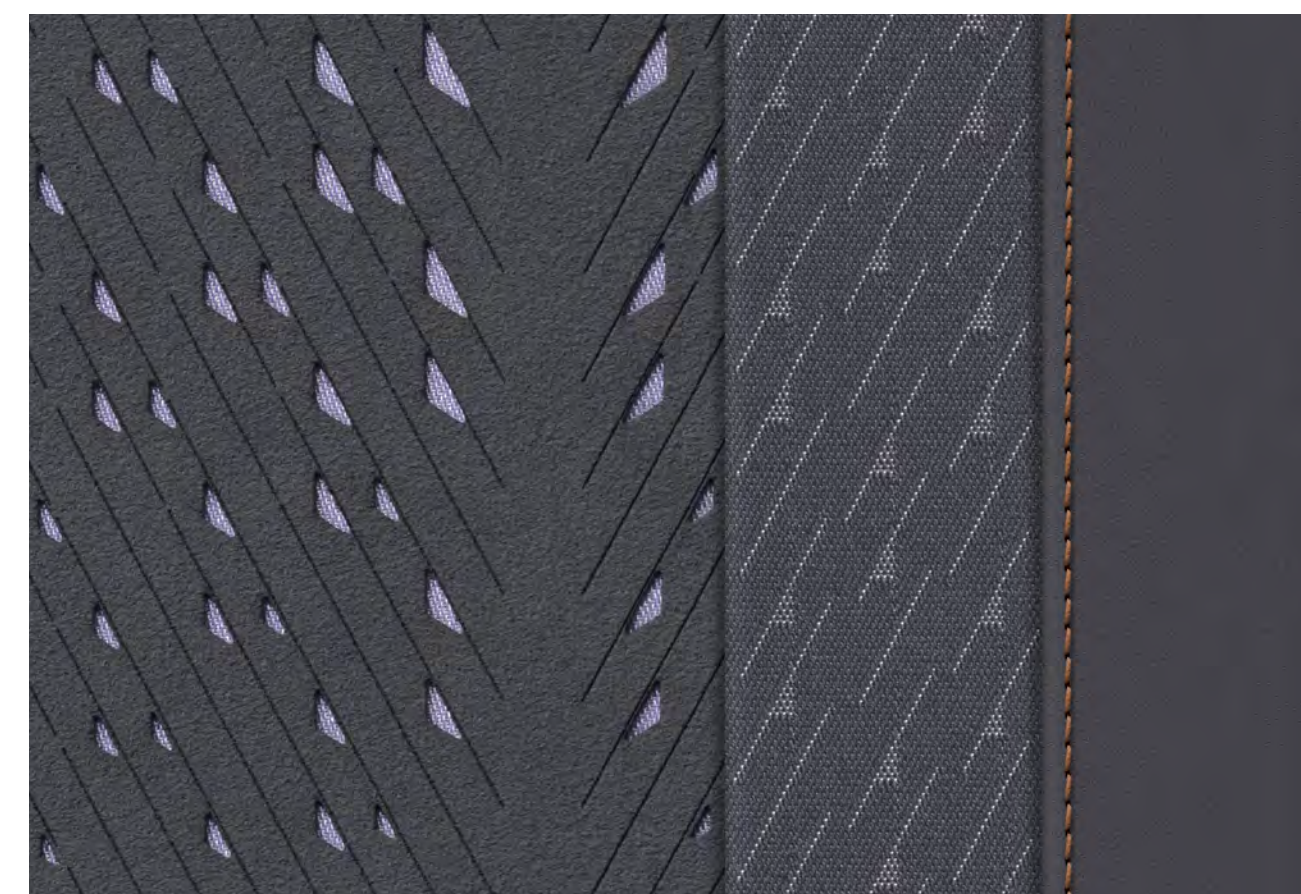
## EXTERIOR EQUIPMENT

- Electrically adjustable, folding and heated door mirrors with memory function and welcome light

↓ 19" 'MAVERICK' MACHINED SPORT SILVER & BLACK ALLOY WHEELS



↓ 'IMMERSIVE' BUCKET SEATS IN BLACK SPARK DINAMICA® WITH COPPER STITCHING



## INTERIOR EQUIPMENT

- Multi-coloured interior ambient lighting with interior projections on front door cards
- Next generation SmartLight ambient lighting plus key driver information

## SEATS AND TRIM

- 'IMMERSIVE' Bucket seats in Black Spark Dinamica® with copper stitching; electrically adjustable seats and pneumatically adjustable lumbar support for front seats, with memory function for driver seat

## INFOTAINMENT

- Sennheiser™ AMBEO 475W Immersive premium audio with 12 speakers including subwoofer



# RAVAL V2 LAUNCH EDITION

PRICE FROM £31,080 (WITH ELECTRIC CAR GRANT APPLIED)

RANGE OF UP TO 272 MILES\*

↓ 'IMMERSIVE' BUCKET SEATS IN BLACK SPARK DINAMICA®



MODEL SHOWN: CUPRA RAVAL V2 LAUNCH EDITION IN PLASMA IRIDESCENT PAINT



## IN ADDITION TO THE V2 TRIM

### WHEELS AND TYRES

- 19" 'VANDAL' machined copper alloy wheels with black inserts with 235/40 R19 96H tyres

### EXTERIOR EQUIPMENT

- MATRIX LED Headlights including cornering light and adverse weather lighting

### FUNCTIONAL AND MECHANICAL

- Top view camera (with front and rear-view camera system and two side cameras)
- Intelligent Park Assist (including Trained Park Assist and Remote Park Assist)

### SAFETY AND SECURITY

- Travel Assist 3.0: Semi-autonomous driving system, Traffic jam assist
- Emergency assist 3.6



19" 'VANDAL' COPPER ALLOY WHEELS



# RAVAL VZ

AVAILABLE ON 52KWH 225PS BATTERY

PRICE FROM £33,495 (WITH ELECTRIC CAR GRANT APPLIED)

## IN ADDITION TO THE V2 TRIM

### WHEELS AND TYRES

- 19" 'REBEL' machined alloy wheels with copper accents and dark aluminium covers with 235/40 R19 tyres

### EXTERIOR EQUIPMENT

- Exterior VZ lettering in dark chrome
- MATRIX LED Headlights including cornering light and adverse weather lighting
- Rear CUPRA and VZ logo in dark chrome-VZ styling with front and rear bumper accents in copper
- VZ styling in copper

### INTERIOR EQUIPMENT

- Aluminium pedals

### SEATS AND TRIM

- 'FEEL' CUP Bucket seats in vegan leather
- Electrically adjustable seats and pneumatically adjustable lumbar support for front seats, with memory function for driver seat



↑ **MODEL SHOWN: CUPRA RAVAL VZ IN PLASMA IRIDESCENT PAINT AND GREY ROOF**

### FUNCTIONAL AND MECHANICAL

- Dynamic Chassis Control suspension front and rear
- Electronic Limited Slip Differential

### SAFETY AND SECURITY

- Extended safety system: proactive passenger protection system



'FEEL' BUCKET SEATS IN VEGAN LEATHER



19" 'REBEL' ALLOY WHEELS



\*The accurate range for your vehicle will vary according to a number of different factors which include the route, weather conditions, vehicle load (occupants + luggage), battery age and condition, optional equipment (alloys, tyres, etc.), the use of peripheral energy consumption systems such as heating, air conditioning and heated seats, as well as your driving style. The indicated range has been calculated in compliance with the WLTP regulation which sets out standard test conditions applicable to all car manufacturers. This ensures that the values calculated in accordance with this regulation are comparable for all vehicles.



# RAVAL VZ EXTREME

AVAILABLE ON 52KWH 225PS BATTERY

PRICE FROM £34,810 (WITH ELECTRIC CAR GRANT APPLIED)  
RANGE OF UP TO 238 MILES\*

IN ADDITION TO THE VZ TRIM

## WHEELS AND TYRES

- 19" 'REBEL' machined alloy wheels with Sulphur accents and dark aluminium inserts with 235/40 R19 96H XL tyres

## EXTERIOR EQUIPMENT

- VZ Extreme styling in Sulphur
- Exterior badges in dark chrome (front, rear and steering wheel)
- MATRIX LED Headlights including cornering light and adverse weather lighting
- Tow bar pre-installation
- Front CUPRA logo in dark chrome
- VZ Extreme styling with front and rear bumper accents in sulphur

## SEATS AND TRIM

- 'AHEAD' CUP Bucket seats in 3D Knit textile

## FUNCTIONAL AND MECHANICAL

- Top view camera (with front and rearview camera system and two side cameras)
- Intelligent Park Assist (including Trained Park Assist and Remote Park Assist)

## SAFETY AND SECURITY

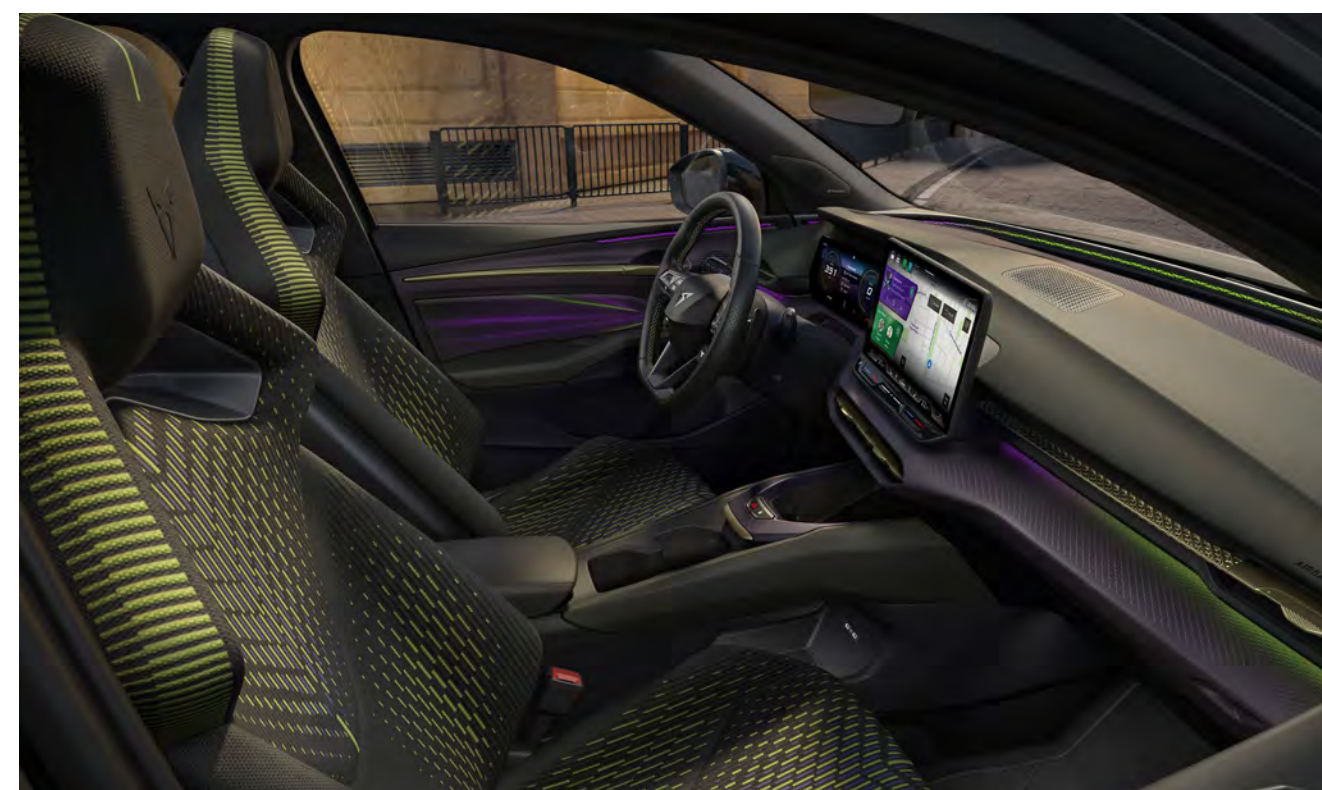
- Travel Assist 3.0: Semi-autonomous driving system, Traffic jam assist
- Emergency assist 3.6



**MODEL SHOWN:**  
CUPRA RAVAL VZ  
EXTREME  
IN MANGANESE  
MATTE PAINT



'AHEAD' CUP BUCKET SEATS IN 3D KNIT TEXTILE



19" 'REBEL AHEAD' MACHINED ALLOY WHEELS





# CONNECTED BEYOND THE PHYSICAL



## **FORGOT WHERE YOU'VE PARKED?**

Simply open the MyCUPRA app and you will be able to easily locate your vehicle in cities or large parking areas.

The GPS coordinates will give you the exact address and you are then able to navigate to it through the easy to use map.

## **IS MY CAR SECURE?**

For those moments when you're unsure if you've locked your car.

Through the MyCUPRA app, authorised users can see and control the lock status of the doors and boot.

## **DETERMINE YOUR IDEAL TEMPERATURE**

On those cold winter mornings, you'll no longer need to sit in your car while you wait for it to warm up and defrost.

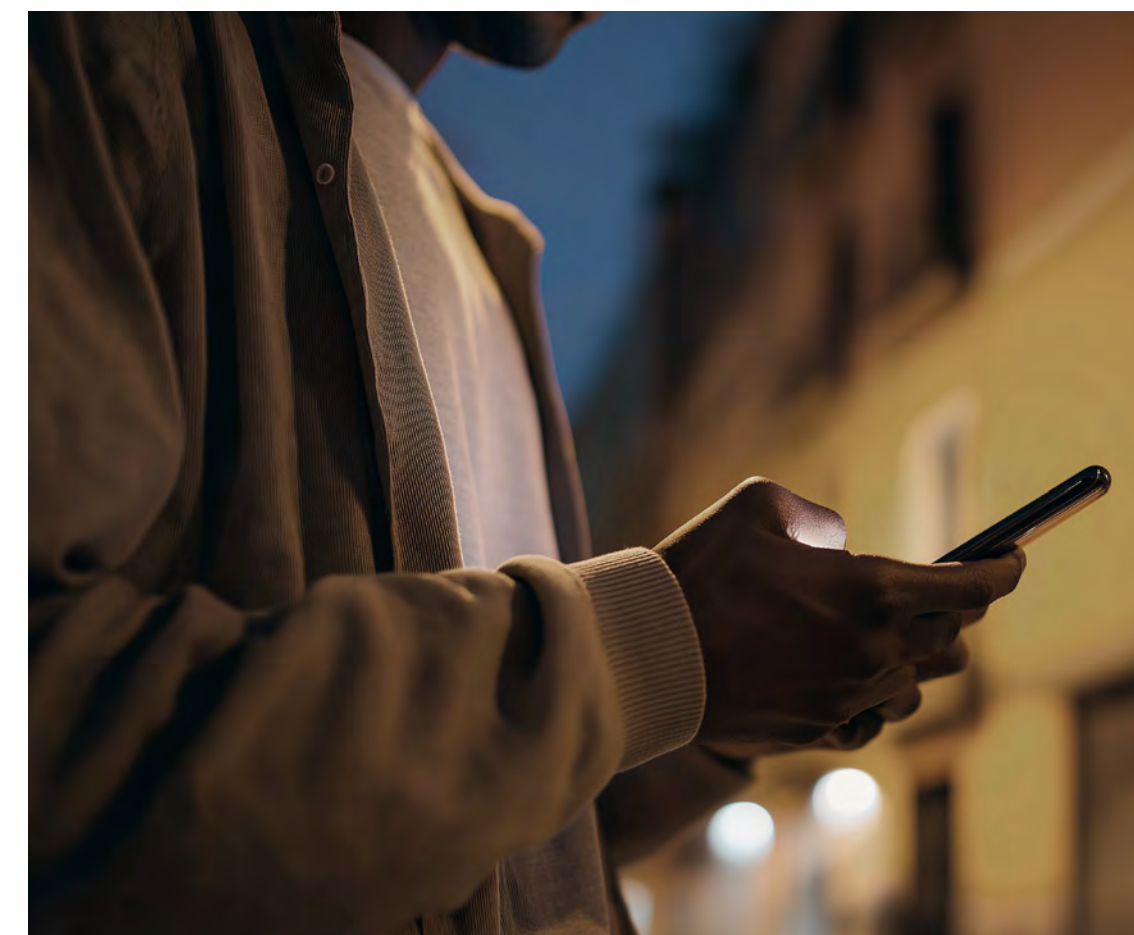
With its remote temperature control, you can program the perfect temperature you want when sitting at the wheel, defrosting the windows in the process\*.

## **WHEN IS MY SERVICE DUE?**

You have enough things in your head to have to remember your next car service.

Activate automatic service scheduling and your chosen authorised service partner will contact you as soon as your vehicle detects the need of a service (inspection or relevant warning light).

\*Feature only available on e-HYBRID and fully electric models.



## **TAKE YOUR CONNECTIVITY TO THE MAX**

Just download the MyCUPRA app, create an account with your personal data and introduce the chassis number of your car located on the left side of the windscreen. In only a few minutes, you will have your CUPRA in the palm of your hand.



## **ENROL YOUR CUPRA TO CONNECT**



## **DOWNLOAD MYCUPRA APP**



PLAY STORE



APP STORE

Notes: Some features may vary depending on the vehicle's configuration and equipment.

If you have any questions, you can call us free of charge at **00800 6000 4020** or write to us at [cupradigitalsupport@cupraofficial.com](mailto:cupradigitalsupport@cupraofficial.com) or [cupra-id-support@cupraofficial.com](mailto:cupra-id-support@cupraofficial.com)



# CUPRA CONNECT

Get the most out of your new CUPRA by downloading the MyCUPRA app. CUPRA CONNECT's innovative services and functions connect you with your CUPRA and the world. The app lets you connect your phone to your CUPRA and allows you to seamlessly access crucial driving data and information about your vehicle. For instance, you can check if all your car's doors are locked from wherever you are, or you can see exactly where you've parked your CUPRA.

CUPRA CONNECT offers a wide range of safety and comfort functionalities that enhance your experience in and out of your CUPRA. The standard CUPRA CONNECT services are available free for 10 years to all CUPRA owners.



## CUPRA CONNECT

FREE FOR 10 YEARS

Standard CUPRA CONNECT enables access to multiple features and benefits including:

- Battery care mode
- Breakdown call
- Customer care
- CUPRA plug & charge
- CUPRA public charging
- Data plan
- E-Manager
- EV Route planner
- Internet radio
- Low voltage battery protection
- Online destination import
- Online map update
- Online POI search
- Online route import
- Online vehicle maintenance
- Parking position
- Personalisation
- Profiles & timers
- Remote lock & unlock
- Remote park assist
- Remote climatisation
- App Store
- Vehicle health report
- Vehicle Status
- Charging stations
- Connected travel assist
- Online route calculation
- Online traffic information
- Local hazard information
- Over the air updates

Please note: The availability of CUPRA CONNECT services may vary depending on your vehicle and vehicle equipment.



# SELECT YOUR BATTERY

TRIMS WITH 37 KWH BATTERY	MODEL	LITRES/ BATTERY (NET KWH)	PS	WLTP CO <sub>2</sub> G/KM	INSURANCE GROUP (1-50)	BIK 2026/27*	BASE PRICE (EXCL. VAT)	VAT @ 20.0%	RETAIL PRICE (P11D VALUE)	1ST YEAR RFL RATE 2026/27	1ST REG FEE 2026/27	RECOMMEND- ED ON THE ROAD PRICE*	RECOMMENDED ON THE ROAD PRICE WITH ECG*
Origin 37 kWh 115PS	Origin	37	115	0	TBC	4%	£19,766.67	£3,953.33	£23,720.00	£10.00	£55.00	£23,785.00	TBC
V1 37 kWh 135PS	V1	37	135	0	TBC	4%	£22,441.67	£4,488.33	£26,930.00	£10.00	£55.00	£26,995.00	TBC
V2 37 kWh 135PS	V2	37	135	0	TBC	4%	£24,595.83	£4,919.17	£29,515.00	£10.00	£55.00	£29,580.00	TBC

## TRIMS WITH 52 KWH BATTERY

V1 52 kWh 210PS	V1	52	210	0	20E	4%	£24,941.67	£4,988.33	£29,930.00	£10.00	£55.00	£29,995.00	£28,495.00
V2 52 kWh 210PS	V2	52	210	0	20E	4%	£27,095.83	£5,419.17	£32,515.00	£10.00	£55.00	£32,580.00	£31,080.00
V2 Launch Edition 52 kWh 210PS	V2 Launch Edition	52	210	0	20E	4%	£27,095.83	£5,419.17	£32,515.00	£10.00	£55.00	£32,580.00	£31,080.00
VZ 52 kWh 225PS	VZ	52	225	0	22E	4%	£29,108.00	£5,822.00	£34,930.00	£10.00	£55.00	£34,995.00	£33,495.00
VZ Extreme 52 kWh 225PS	VZ Extreme	52	225	0	22E	4%	£30,204.17	£6,040.83	£36,245.00	£10.00	£55.00	£36,310.00	£34,810.00

\*BIK value is based on WLTP CO<sub>2</sub> and applicable from 17/06/26.

\*\*\*The accurate range for your vehicle will vary according to a number of different factors which include the route, weather conditions, vehicle load (occupants + luggage), battery age and condition, optional equipment (alloys, tyres, etc.), the use of peripheral energy consumption systems such as heating, air conditioning and heated seats, as well as your driving style. The indicated range has been calculated in compliance with the WLTP regulation which sets out standard test conditions applicable to all car manufacturers. This ensures that the values calculated in accordance with this regulation are comparable for all vehicles.

The Recommended 'On The Road' price includes delivery charge to Retailer and number plates, one year's Road Fund Licence at the 1st year rate, and the new vehicle registration fee (£55). VAT is calculated at 20.0%. CUPRA may change RRP's at any time (this includes where there are government changes in regulation and/or legislation). There may be a delay to any RRP displaying correctly on our materials. Always obtain prices from your chosen CUPRA Retailer. Figures shown are for comparability purposes; only compare fuel consumption and CO<sub>2</sub> figures with other vehicles tested to the same technical procedures. These figures may not reflect real life driving results, which will depend upon a number of factors including the accessories fitted (post-registration), variations in weather, driving styles and vehicle load. Data correct at 17/06/2026. Figures quoted are for a range of configurations and are subject to change due to ongoing approvals/changes.

The Electric Car Grant is a UK Government grant to promote the purchase of certain new electric vehicles. The grant is not exclusive to Volkswagen Group United Kingdom Limited. Selected CUPRA Raval models are eligible for this Grant within Band 2, meaning eligible customers purchasing a qualifying vehicle will receive £1,500 off the purchase price. The grant is available when purchasing CUPRA Raval 52kWh models. The £1,500 will be automatically deducted from the purchase price for your vehicle on the retail invoice. Any discount or offer will be applied before application of the grant. Your authorised CUPRA Retailer will submit the details of your order in order to claim the grant funding. The grant is subject to full T&Cs and eligibility requirements and may be replaced, withdrawn or amended by the UK Government at any time. For more information, please contact your CUPRA Retailer or visit <https://www.gov.uk/plug-in-vehicle-grants>.

Cannot be claimed retrospectively against previous orders. No cash alternative. UK only (excludes Channel Islands and Isle of Man). Vehicle must be registered in the UK and customer must pay UK VAT on purchase. Vehicle eligibility and grant figure correct as at 17/06/26.



# CHARGING AT HOME AND ON THE GO



## CHARGING AT HOME

Charging your new CUPRA Raval at home is likely to become part of your everyday routine, so we've made it simple.

There are two options for home charging, either via a traditional three-pin plug or a specially installed wallbox (the Mode 3 DC cable is standard equipment from V1 trim. Optional extra for Origin). Ohme is CUPRA's recommended supplier to install a wallbox at your home and guide you through the complete home charging journey. Ohme have a range of chargers with features such as smart scheduling to charge your CUPRA when the electricity rates are at their lowest.

## KNOW YOUR POWER SUPPLIES

AC – Alternating Current  
DC – Direct Current

## WHY DO WE RECOMMEND A WALLBOX IS INSTALLED TO CHARGE YOUR CUPRA RAVAL?

While a three-pin socket can charge your new CUPRA Raval at home, a home wallbox is recommended due to the high energy demands and the significantly faster charge time. A 7.2kW wallbox can charge your CUPRA Raval three times faster than with a three-pin plug. A home wallbox installed by an accredited installer like Ohme ensures that your car receives a full night of uninterrupted fast charge.

## CHARGING ON THE GO

While you're out on the road, you can choose from a number of public charging points to top up your new CUPRA Raval. Zapmap is a great website ([zap-map.com](https://zap-map.com)) to locate suitable chargers across the UK.

## COMBINED CHARGING SYSTEM (CCS)

AC and DC rapid charging is available at most public charging stations. Rapid chargers are the fastest way to charge an EV vehicle and often found in motorway services or in locations close to main roads. The CUPRA Raval is equipped with CCS, which supplies high power direct or alternating current (DC/AC) to charge a battery to 80% quickly.

## REGENERATIVE BRAKING

This is the recovery of energy usually lost when braking. CUPRA Raval optimises braking energy to prolong its battery life and not reduce your range.



# SELECT YOUR PAINT COLOUR

## STANDARD



ORIGIN | V1 | V2 | V2 LAUNCH EDITION | VZ | VZ EXTREME

## METALLIC



ORIGIN | V1 | V2 | V2 LAUNCH EDITION | VZ | VZ EXTREME



ORIGIN | V1 | V2 | V2 LAUNCH EDITION | VZ | VZ EXTREME



ORIGIN | V1 | V2 | V2 LAUNCH EDITION | VZ | VZ EXTREME

## MATTE



V1 | V2 | VZ | VZ EXTREME

## SPECIAL



V1 | V2 | V2 LAUNCH EDITION | VZ | VZ EXTREME

## ROOF COLOURS



V1 | V2 | V2 LAUNCH EDITION | VZ | VZ EXTREME



V1 | V2 | V2 LAUNCH EDITION | VZ | VZ EXTREME



# EQUIPMENT





# WHEELS AND TYRES

EQUIPMENT

	ORIGIN	V1	V2	V2 LAUNCH EDITION	VZ	VZ EXTREME
17" alloy wheels with 215/55 R17 92T tyres	▼	-	-	-	-	-
18" 'DEFIER' alloy wheels with 215/50 R18 92T tyres	-	▼	-	-	-	-
19" 'MAVERICK' machined sport silver and black alloy wheels with 235/40 R19 96H tyres	-	-	▼	-	-	-
19" 'VANDAL' machined black and copper alloy wheels with 235/40 R19 96H tyres	-	-	▽	▼	-	-
19" 'REBEL' machined alloy wheels with Copper accents and dark aluminium inserts with 235/40 R19 96H XL tyres	-	-	-	-	▼	-
19" 'REBEL' machined alloy wheels with Sulphur accents and dark aluminium inserts with 235/40 R19 96H XL tyres	-	-	-	-	-	▼
Tool kit	▼	▼	▼	▼	▼	▼
Tyre pressure monitoring system	▼	▼	▼	▼	▼	▼

▼ STANDARD | ▽ OPTIONAL | - NOT AVAILABLE



# EXTERIOR EQUIPMENT

EQUIPMENT

	ORIGIN	V1	V2	V2 LAUNCH EDITION	VZ	VZ EXTREME
Electrically adjustable, manual folding and heated door mirrors	▼	-	-	-	-	-
Electrically adjustable, folding and heated door mirrors with welcome light	-	▼	-	-	-	-
Electrically adjustable, folding and heated door mirrors with memory function and welcome light	-	-	▼	▼	▼	▼
Windshield wiper with light / rain sensor	▼	▼	▼	▼	▼	▼
Heat-reflecting glass	▼	▼	▼	▼	▼	▼
Dark tinted rear windows	-	▼	▼	▼	▼	▼
Full LED headlights with high-beam assist	▼	▼	▼	-	-	-
Matrix LED headlights with active light assist, with adverse weather function and ceremony light	-	-	▽	▼	▼	▼
3D LED rear combination lamp with ceremony function and illuminated logo	▼	▼	▼	▼	▼	▼

▼ STANDARD | ▽ OPTIONAL | - NOT AVAILABLE



# EXTERIOR EQUIPMENT

EQUIPMENT

	ORIGIN	V1	V2	V2 LAUNCH EDITION	VZ	VZ EXTREME
Front CUPRA logo in copper	▼	▼	▼	▼	▼	-
Front CUPRA logo in dark chrome	-	-	-	-	-	▼
Exterior VZ lettering	-	-	-	-	▼	▼
VZ Extreme styling with front and rear bumper accents in sulphur	-	-	-	-	-	▼
VZ styling with front and rear bumper accents in copper	-	-	-	-	▼	-
RAVAL styling with front and rear bumper accents in gloss black	▼	▼	▼	▼	-	-
Rear CUPRA logo and VZ logo in dark chrome	-	-	-	-	▼	▼
Illuminated door handles	-	▼	▼	▼	▼	▼
Tow hook pre-installation	-	-	-	-	-	▼

▼ STANDARD | ▽ OPTIONAL | - NOT AVAILABLE



# INFOTAINMENT

EQUIPMENT

	ORIGIN	V1	V2	V2 LAUNCH EDITION	VZ	VZ EXTREME
<b>CUPRA CONNECT: Safety and Service, Remote Access and Online Infotainment</b>						
Safety and Service: free for 10 years:						
<ul style="list-style-type: none"> <li>Public emergency call</li> <li>Breakdown call</li> <li>Service scheduling</li> </ul>						
Remote access:						
<ul style="list-style-type: none"> <li>Battery charge</li> <li>Remote climatisation</li> <li>Remote profiles and timers</li> <li>Online infotainment</li> <li>Online traffic information (exc. Origin)</li> <li>Online map update (exc. Origin)</li> <li>Online route calculation (exc. Origin)</li> <li>Dynamic POI (exc. Origin)</li> <li>Online voice assistant (exc. Origin)</li> </ul>						
Premium Data Plan (20 GB per month)	-	▼	▼	▼	▼	▼
10.25" Digital Cockpit with 12.9" Android automotive central display infotainment system	▼	▼	▼	▼	▼	▼
'OneInfotainment' with basic app store access	▼	-	-	-	-	-
Navigation on 'OneInfotainment' with full app store access	-	▼	▼	▼	▼	▼

The CUPRA Connect services can be operated only by using available public communication technologies. Please note that due to development of these technologies, especially mobile networks, CUPRA cannot guarantee consistent availability in all countries for the duration of CUPRA Connect services. Possible changes in technology may cause permanent unavailability of them.

▼ STANDARD | ▽ OPTIONAL | - NOT AVAILABLE



# INFOTAINMENT

EQUIPMENT

	ORIGIN	V1	V2	V2 LAUNCH EDITION	VZ	VZ EXTREME
7 speakers	▼	▼	-	-	-	-
Sennheiser AMBEO 475W Immersive premium audio with 12 speakers including subwoofer	-	-	▼	▼	▼	▼
Voice assistant	-	▼	▼	▼	▼	▼
Two front USB type C sockets	▼	-	-	-	-	-
Two front and two rear USB type C shared 90W sockets (rear two are charge only)	-	▼	▼	▼	▼	▼
Wireless Full Link smartphone integration with mirroring technology - Apple CarPlay - Android Auto	▼	▼	▼	▼	▼	▼
Bluetooth	▼	▼	▼	▼	▼	▼
Wireless phone charger	-	▼	▼	▼	▼	▼
DAB (Digital Audio Broadcasting) and AM/FM radio	▼	▼	▼	▼	▼	▼
e-Call Service	▼	▼	▼	▼	▼	▼

▼ STANDARD | ▽ OPTIONAL | - NOT AVAILABLE



# INTERIOR EQUIPMENT

EQUIPMENT

	ORIGIN	V1	V2	V2 LAUNCH EDITION	VZ	VZ EXTREME
Aluminium pedals	-	-	-	-	▼	▼
Interior lighting	▼	▼	-	-	-	-
Multi-coloured interior ambient lighting with interior projections of front door cards	-	-	▼	▼	▼	▼
SmartLight ambient lighting plus key driver information	-	-	▼	▼	▼	▼
Climatronic single-zone air conditioning	▼	-	-	-	-	-
Climatronic dual-zone air conditioning	-	▼	▼	▼	▼	▼
Leatherette-wrapped multi-function steering wheel	▼	-	-	-	-	-
Heated, leather-wrapped multi-function steering wheel with satellite buttons	-	▼ (37kW)	▼ (37kW)	-	-	-
Heated, leather-wrapped multi-function steering wheel with satellite buttons and paddles for regenerative braking adjustment	-	▼ (52kW)	▼ (52kW)	▼	▼	▼

▼ STANDARD | ▽ OPTIONAL | - NOT AVAILABLE



# INTERIOR EQUIPMENT

EQUIPMENT

	ORIGIN	V1	V2	V2 LAUNCH EDITION	VZ	VZ EXTREME
CUPRA emblem on steering wheel	▼	▼	▼	▼	▼	▼
Auto-dimming rear view mirror (manual dimming for Origin)	-	▼	▼	▼	▼	▼
Preparation for alcohol interlock	▼	▼	▼	▼	▼	▼
Double boot floor (Variable)	-	▼	▼	▼	▼	▼
CUPRA e-Sound	-	▼ (52kW)	▼ (52kW)	▼	▼	▼

▼ STANDARD | ▽ OPTIONAL | - NOT AVAILABLE



# SEATS AND TRIM

EQUIPMENT

	ORIGIN	V1	V2	V2 LAUNCH EDITION	VZ	VZ EXTREME
'PULSE' Sport comfort seats in textile – manual adjustment	▼	▼	-	-	-	-
'IMMERSIVE' Bucket seats in Black Spark Dinamica® with copper stitching; electrically adjustable seats and pneumatically adjustable lumbar support for front seats, with memory function for driver seat	-	-	▼	▼	-	-
'FEEL' Bucket seats in vegan leather; electrically adjustable seats and pneumatically adjustable lumbar support for front seats, with memory function for driver seat	-	-	-	-	▼	-
'AHEAD CUP' Bucket seats in 3D Knit textile; electrically adjustable seats and pneumatically adjustable lumbar support for front seats, with memory function for driver seat	-	-	-	-	-	▼
Heated front seats	-	▼	▼	▼	▼	▼
Integrated headrest	-	-	▼	▼	▼	▼
Split folding rear seats	▼	▼	▼	▼	▼	▼
Door and side trim panels in PVC	-	-	▼	▼	▼	▼

▼ STANDARD | ▽ OPTIONAL | - NOT AVAILABLE



# FUNCTIONAL AND MECHANICAL

EQUIPMENT

	ORIGIN	V1	V2	V2 LAUNCH EDITION	VZ	VZ EXTREME
Adaptive cruise control	▼	▼	▼	▼	▼	▼
Rear park sensors	▼	-	-	-	-	-
Front and rear park sensors	-	▼	▼	▼	▼	▼
Rear view camera	-	▼	▼	▼	▼	▼
Top view camera (4 cameras: 2 front and rear + 2 side cameras) (part of DRIVE pack)	-	▽	▽	▼	-	▼
Intelligent Park Assist & Remote Park Assist with Trained Park Assist (part of DRIVE pack)	-	▽	▽	▼	-	▼
Drive Profile Selection (Range, Comfort, Performance, CUPRA, Individual)	▼	▼	▼	▼	▼	▼
Sun visors with illuminated mirror	▼	▼	▼	▼	▼	▼

▼ STANDARD | ▽ OPTIONAL | - NOT AVAILABLE



# FUNCTIONAL AND MECHANICAL

EQUIPMENT

	ORIGIN	V1	V2	V2 LAUNCH EDITION	VZ	VZ EXTREME
Dynamic steering	▼	▼	▼	▼	▼	▼
Sport suspension front and rear	▼	▼	▼	▼	-	-
Dynamic Chassis Control suspension front and rear	-	-	-	-	▼	▼
Electronic Limited Slip Differential	-	-	-	-	▼	▼

▼ STANDARD | ▽ OPTIONAL | - NOT AVAILABLE



# SAFETY AND SECURITY

EQUIPMENT

	ORIGIN	V1	V2	V2 LAUNCH EDITION	VZ	VZ EXTREME
Remote central locking system with Keyless Go	▼	-	-	-	-	-
KESY Advanced (Keyless Entry and Go)	-	▼	▼	▼	▼	▼
Mobile Digital Key – up to 5 including main user + one SmartCard	-	▼	▼	▼	▼	▼
One physical key (2 for Origin)	▼	▼	▼	▼	▼	▼
Attention and drowsiness assist with driver monitoring	▼	▼	▼	▼	▼	▼
Anti-theft alarm system, interior monitoring, backup horn, and towing protection	▼	▼	▼	▼	▼	▼
3-point seatbelts	▼	▼	▼	▼	▼	▼
Driver and front passenger airbags with front passenger airbag deactivation, side airbag in front with curtain airbag and interaction airbag in front	▼	▼	▼	▼	▼	▼
Visual and acoustic seatbelt reminder	▼	▼	▼	▼	▼	▼
Traffic sign recognition	▼	▼	▼	▼	▼	▼

▼ STANDARD | ▽ OPTIONAL | - NOT AVAILABLE



# SAFETY AND SECURITY

EQUIPMENT

	ORIGIN	V1	V2	V2 LAUNCH EDITION	VZ	VZ EXTREME
Emergency steering support with turn assist	▼	▼	▼	▼	▼	▼
ISOFIX points in outer rear seats with top tether anchorage points	▼	▼	▼	▼	▼	▼
Wheel bolts with anti-theft protection	▼	▼	▼	▼	▼	▼
Lane keeping system plus semi-automatic vehicle control in a medical emergency	▼	▼	▼	▼	▼	▼
Travel Assist 3.0: Semi-autonomous driving system, Traffic jam assist (part of DRIVE pack)	-	▽	▽	▼	▽	▼
Emergency Assist 3.6 (part of DRIVE pack)	-	▽	▽	▼	▽	▼
Front cross traffic assist	▼	▼	▼	▼	▼	▼
Rear traffic alert and lane change system with exit warning system	▼	▼	▼	▼	▼	▼
Forward collision warning with warning and braking reaction to vehicles, pedestrians and cyclists	▼	▼	▼	▼	▼	▼
Extended safety system: proactive passenger protection system	-	-	-	-	▼	▼

▼ STANDARD | ▽ OPTIONAL | - NOT AVAILABLE



EQUIPMENT

## CHARGING TECHNOLOGY

	ORIGIN	V1	V2	V2 LAUNCH EDITION	VZ	VZ EXTREME
Gear ratio 9.558	▼	▼ (37kW)	▼ (37kW)	-	-	-
Gear ratio 10.262	-	▼ (52kW)	▼ (52kW)	▼	▼	▼
11 kW AC charging capacity	▼	▼	▼	▼	▼	▼
Charging cable mode 3, type 2/3, 32 A	▽	▼	▼	▼	▼	▼
Vehicle to Load (V2L) capability (with optional connector)	-	▼	▼	▼	▼	▼

## WARRANTY

	ORIGIN	V1	V2	V2 LAUNCH EDITION	VZ	VZ EXTREME
5 Year / 90,000 mile Warranty	▼	▼	▼	▼	▼	▼

▼ STANDARD | ▽ OPTIONAL | - NOT AVAILABLE



# OPTIONS





## WHEELS AND TYRES

	ORIGIN	V1	V2	V2 LAUNCH EDITION	VZ	VZ EXTREME	BASIC PRICE	VAT @20%	RECOMMENDED RETAIL PRICE
18" 'DEFIER' machined sport black and silver alloy wheels	-	▽	-	-	-	-	£220.83	£44.17	£265.00
19" 'VANDAL' machined copper alloy wheels with black inserts	-	-	▽	▼	-	-	£75.00	£15.00	£90.00
Range-Optimised tyres (Label A Efficiency) (235/40 R19) for 19" 'REBEL' machined alloy wheels	-	-	-	-	▽	-	£0.00	£0.00	£0.00

## INTERIOR EQUIPMENT

	ORIGIN	V1	V2	V2 LAUNCH EDITION	VZ	VZ EXTREME	BASIC PRICE	VAT @20%	RECOMMENDED RETAIL PRICE
Drive Pack	-	▽	▽	▼	▽	▼	£512.50	£102.50	£615.00
Heat pump*	-	▽	▽	-	▽	-	£800.00	£160.00	£960.00

\*Available from September 2026.



## SAFETY AND SECURITY

	ORIGIN	V1	V2	V2 LAUNCH EDITION	VZ	VZ EXTREME	BASIC PRICE	VAT @20%	RECOMMENDED RETAIL PRICE
Second physical key	▼	▽	▽	▽	▽	▽	£75.00	£15.00	£90.00

## FUNCTIONAL AND MECHANICAL

	ORIGIN	V1	V2	V2 LAUNCH EDITION	VZ	VZ EXTREME	BASIC PRICE	VAT @20%	RECOMMENDED RETAIL PRICE
Towbar pre-installation with hook	-	▽	▽	-	▽	-	£483.33	£96.67	£580.00
Towbar pre-installation	-	▽	▽	-	▽	▼	£137.50	£27.50	£165.00



## EXTERIOR EQUIPMENT

	ORIGIN	V1	V2	V2 LAUNCH EDITION	VZ	VZ EXTREME	BASIC PRICE	VAT @20%	RECOMMENDED RETAIL PRICE
Skyline – Panoramic Sunroof	-	▽	▽	-	▽	▽	£483.33	£96.67	£580.00
Matrix LED headlights with active light assist, with adverse weather function and ceremony light	-	-	▽	▼	▼	▼	£662.50	£132.50	£795.00

## ACCESSORIES

	ORIGIN	V1	V2	V2 LAUNCH EDITION	VZ	VZ EXTREME	BASIC PRICE	VAT @20%	RECOMMENDED RETAIL PRICE
Charging cable mode 3, type 2/3, 32 A	▽	▼	▼	▼	▼	▼	£208.33	£41.67	£250.00



# PAINT

OPTIONS

		ORIGIN	V1	V2	V2 LAUNCH EDITION	VZ	VZ EXTREME	BASIC PRICE	VAT @20%	RECOMMENDED RETAIL PRICE
<b>STANDARD</b>	Fiord Blue	▽	▽	▽	▽	▽	-	£0.00	£0.00	£0.00
	Fiord Blue with Black roof	-	▽	▽	▽	▽	▽	£0.00	£0.00	£0.00
<b>METALLIC</b>	Magnetic Tech Grey	▽	▽	▽	▽	▽	-	£579.17	£115.83	£695.00
	Magnetic Tech Grey with Black roof	-	▽	▽	▽	▽	▽	£579.17	£115.83	£695.00
	Midnight Black	▽	▽	▽	▽	▽	▽	£579.17	£115.83	£695.00
	Midnight Black with Grey roof	-	▽	▽	▽	▽	-	£579.17	£115.83	£695.00
	Glacial White	▽	▽	▽	▽	▽	-	£579.17	£115.83	£695.00
	Glacial White with Black roof	-	▽	▽	▽	▽	▽	£579.17	£115.83	£695.00
	Glacial White with Grey roof	-	▽	▽	▽	▽	-	£579.17	£115.83	£695.00

▼ STANDARD | ▽ OPTIONAL | - NOT AVAILABLE



# PAINT

OPTIONS

		ORIGIN	V1	V2	V2 LAUNCH EDITION	VZ	VZ EXTREME	BASIC PRICE	VAT @20%	RECOMMENDED RETAIL PRICE
<b>SPECIAL</b>	Plasma Iridescent***	-	▽	▽	▽	▽	▽	£829.17	£165.83	£995.00
	Plasma Iridescent with Black roof***	-	▽	▽	▽	▽	▽	£829.17	£165.83	£995.00
	Plasma Iridescent with Grey roof***	-	▽	▽	▽	▽	-	£829.17	£165.83	£995.00
<b>MATTE</b>	Manganese Green**	-	▽	▽	-	▽	▽	£1,333.33	£266.67	£1,600.00
	Century Bronze*	-	▽	▽	-	▽	▽	£1,333.33	£266.67	£1,600.00

^Available from September 2026.

\*\*Reduced price for Matte paint for V2 Launch Edition – £905.

\*\*\*Reduced price for Special metallic paint for V2 Launch Edition – £300.



OPTIONS

## UPHOLSTERY

	ORIGIN	V1	V2	V2 LAUNCH EDITION	VZ	VZ EXTREME	BASIC PRICE	VAT @20%	RECOMMENDED RETAIL PRICE
'PULSE' Sport comfort seats in textile	▼	▼	-	-	-	-	£0.00	£0.00	£0.00
'IMMERSIVE' Bucket seats in Dinamica	-	-	▼	▼	-	-	£0.00	£0.00	£0.00
'FEEL' Bucket seats in vegan leather	-	-	-	-	▼	-	£0.00	£0.00	£0.00
'AHEAD' Cup bucket seats in 3D knitting textile	-	-	-	-	-	▼	£0.00	£0.00	£0.00

▼ STANDARD | ▽ OPTIONAL | - NOT AVAILABLE



# VEHICLE EXCISE DUTY

All new vehicles are subject to a form of Vehicle Excise Duty (VED) based on the type of fuel the vehicle uses and its carbon dioxide (CO<sub>2</sub>) emission level, measured in grams per kilometre (g/km). This table illustrates the duty you will pay based on the DVLA bandings.

The standard rate for Petrol, Diesel and Alternative Fuel Vehicles is £200. Please be aware vehicles with a list price (RRP), including options, higher than £40,000\* will incur an additional £440 a year in vehicle tax.

\*Please note, as a result of the Budget 2025, the VED Expensive Car Supplement (ECS) threshold for zero-emission cars increases from £40,000 to £50,000. This means that zero-emission cars with a list price which exceeds £40,000, but does not exceed £50,000, will no longer be required to pay the ECS charge when they take out a licence which comes into effect on or after 1 April 2026 which is not a first vehicle licence. The threshold will be maintained at its current level of £40,000 for all other cars.

For full details please refer to [gov.uk/vehicle-tax-rate-tables](https://gov.uk/vehicle-tax-rate-tables)

For full details on the VED ECS threshold increase, please refer to [GOV.UK](https://gov.uk)



## 12-MONTH ROAD FUND LICENCE (RFL) RATE FOR PETROL AND ALTERNATIVE FUEL VEHICLES

CO <sub>2</sub> g/km	1ST YEAR RATE
0	£10
1	£115
51	£135
76	£280
91	£365
101	£405
111	£455
131	£560
151	£1,410
171	£2,270
191	£3,420
226	£4,850
256	£5,690

CARS REGISTERED ON OR AFTER 1 APRIL 2026



# BENEFIT IN KIND TAX

## HOW TO CALCULATE YOUR LIABILITY

The BIK percentage value is based on the CO<sub>2</sub> emissions of the vehicle for the current tax year 2026/27.



### BIK CALCULATION EXAMPLE: CUPRA RAVAL ORIGIN 37KWH 115PS

---

P11D value (Recommended On The Road Price less RFL and first registration fee)	£23,720.00
--	------------

---

WLTP CO <sub>2</sub> emissions (g/km)	0
---------------------------------------	---

---

Company car BIK tax based on CO <sub>2</sub> emission level	4%
---	----

---

Taxable BIK (for 2026/27 tax year): 4% of £23,720.00	£948.80
---	---------

---

### ANNUAL COMPANY CAR TAX 2026/27 (@20% INCOME TAX)

---

20% of £948.80	£189.76 per annum
----------------	-------------------

---

### MONTHLY COMPANY CAR TAX 2026/27 (@20% INCOME TAX)

---

£189.76 divided by 12	£15.81 per month
-----------------------	------------------

---



# TECHNICAL DATA





# BATTERY

TECHNICAL DATA

	<b>37 KWH 210PS (ORIGIN, V1, V2)</b>	<b>37 KWH 225PS (ORIGIN, V1, V2)</b>	<b>52 KWH 210PS (V1, V2, V2 LAUNCH EDITION)</b>	<b>52 KWH 225PS (VZ, VZ EXTREME)</b>
Type (cylinders / valves per cylinder)	Permanent magnet synchronous electric motor		Permanent magnet synchronous electric motor	
Maximum power (kW (PS) / rpm) <sup>1</sup>	TBC	TBC	155 (210) / 5104-8400	165 (225) / 5466-8400
Maximum torque (Nm / rpm)	TBC	TBC	290 / 0-5104	290 / 0-5466
Fuel supply system	Li-ion battery	Li-ion battery	Li-ion battery	Li-ion battery
Fuel type	Electric	Electric	Electric	Electric
Emission control	WLTP	WLTP	WLTP	WLTP



# TRANSMISSION

	<b>37 KWH 210PS (ORIGIN, V1, V2)</b>	<b>37 KWH 225PS (ORIGIN, V1, V2)</b>	<b>52 KWH 210PS (V1, V2, V2 LAUNCH EDITION)</b>	<b>52 KWH 225PS (VZ, VZ EXTREME)</b>
Gearbox type	TBC	TBC	TBC	TBC

# PERFORMANCE

	<b>37 KWH 210PS (ORIGIN, V1, V2)</b>	<b>37 KWH 225PS (ORIGIN, V1, V2)</b>	<b>52 KWH 210PS (V1, V2, V2 LAUNCH EDITION)</b>	<b>52 KWH 225PS (VZ, VZ EXTREME)</b>
Maximum speed (km/h)	TBC	TBC	160	175
Maximum speed (mph) <sup>2</sup>	TBC	TBC	99	109
Acceleration 0-62mph (s) (0-100 KM/H (S))	TBC	TBC	7.1	6.8

1. The maximum power output figures are quoted in PS (or Pferdestärke, which is the metric equivalent of horsepower). To convert from metric to imperial horsepower, divide the PS by 1.0139.  
2. Where law permits.



# BATTERY

TECHNICAL DATA

	<b>37 KWH 210PS ORIGIN, V1, V2)</b>	<b>37 KWH 225PS (ORIGIN, V1, V2)</b>	<b>52 KWH 210PS (V1, V2, V2 LAUNCH EDITION)</b>	<b>52 KWH 225PS (VZ, VZ EXTREME)</b>
Max Power (kw/PS)	TBC	TBC	155 (210)	165 (225)
Max Torque (nm)	TBC	TBC	290	290
Battery type	TBC	TBC	Li-ion (NCM Nickel Cobalt Manganese)	Li-ion (NCM Nickel Cobalt Manganese)
Battery voltage (v)	TBC	TBC	240-408	240-408
Battery capacity (ah)	TBC	TBC	154	154
Battery cells	TBC	TBC	96	96
Charge type (AC/DC)	TBC	TBC	AC / DC	AC / DC
Charging time AC 11kw 0-100%	TBC	TBC	5hrs 30 mins	5hrs 30 mins
Charging time DC 105kW 10-80%	TBC	TBC	24 mins	24 mins



# ELECTRIC CONSUMPTION<sup>3</sup> (WLTP)

	<b>37 KWH 210PS (ORIGIN, V1, V2)</b>	<b>37 KWH 225PS (ORIGIN, V1, V2)</b>	<b>52 KWH 210PS (V1, V2, V2 LAUNCH EDITION)</b>	<b>52 KWH 225PS (VZ, VZ EXTREME)</b>
Electric consumption combined WLTP (kwh/100km)	TBC	TBC	13.6-13.8	13.8-15.9
Electric range WLTP (km)	TBC	TBC	446-439	440-384
Electric range WLTP (miles)	TBC	TBC	277.1-272.8	273.4-238.6



# CHASSIS

TECHNICAL DATA

	<b>37 KWH 210PS (ORIGIN, V1, V2)</b>	<b>37 KWH 225PS (ORIGIN, V1, V2)</b>	<b>52 KWH 210PS (V1, V2, V2 LAUNCH EDITION)</b>	<b>52 KWH 225PS (VZ, VZ EXTREME)</b>
Front suspension	TBC	TBC	Independent type McPherson – coil springs – hydraulic shock absorber	
Rear suspension	TBC	TBC	Semirigid axle – coil springs – hydraulic shock absorber	
Steering system	TBC	TBC	R-EPS (Rack Electric Power System); Progressive steering	
Turning circle diameter [wall to wall] (m)	TBC	TBC	10.9	11

# BRAKING SYSTEM

	<b>37 KWH 210PS (ORIGIN, V1, V2)</b>	<b>37 KWH 225PS (ORIGIN, V1, V2)</b>	<b>52 KWH 210PS (V1, V2, V2 LAUNCH EDITION)</b>	<b>52 KWH 225PS (VZ, VZ EXTREME)</b>
Anti-lock Braking System (ABS)	TBC	TBC	One Box (ESC + brake booster)	One Box (ESC + brake booster)
Type (front/rear)	TBC	TBC	Front ventilated disc brakes and rear solid disc brakes	Front ventilated disc brakes and rear solid disc brakes
Front discs (mm)	TBC	TBC	306x26	306x26
Rear discs (mm)	TBC	TBC	300x12	300x12



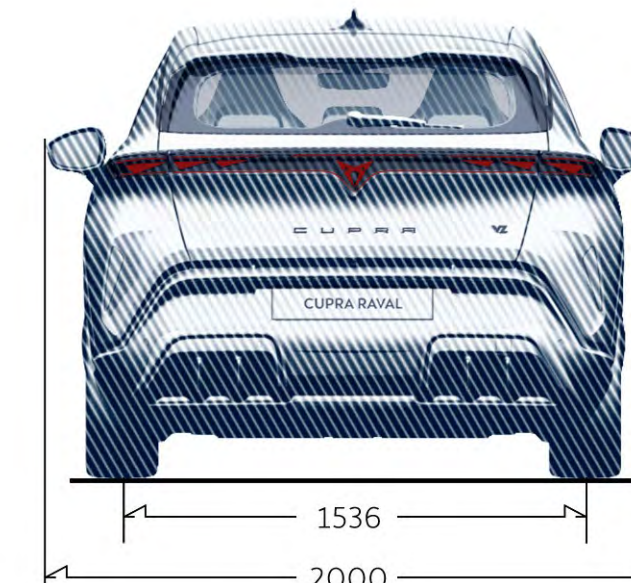
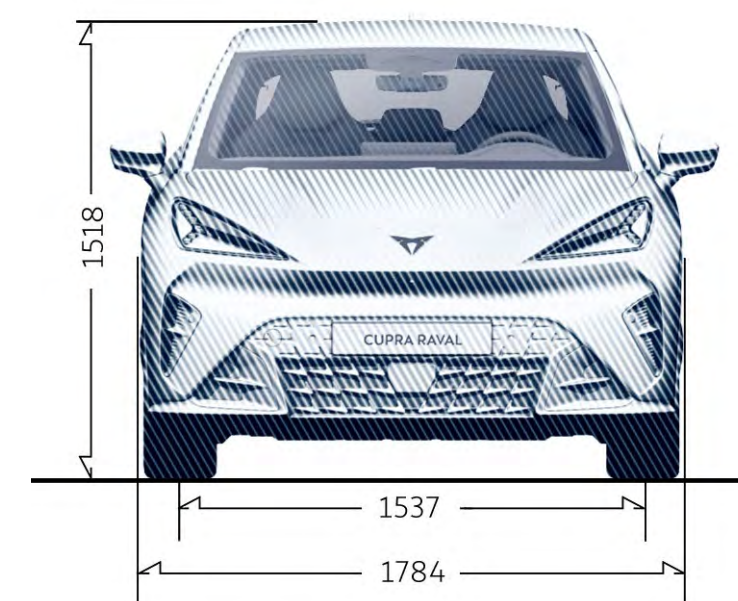
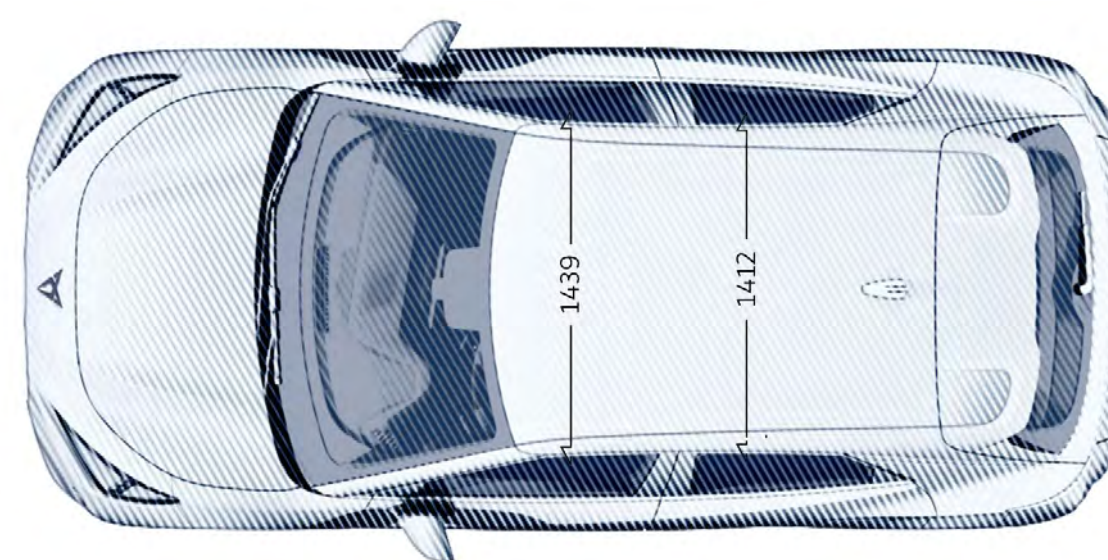
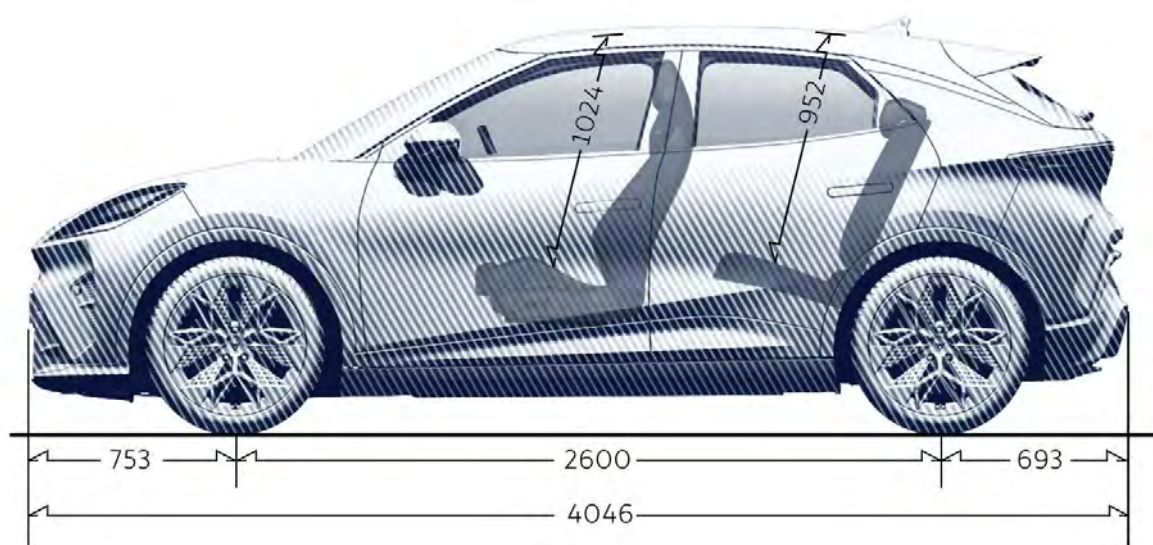
# WEIGHTS

	<b>37 KWH 210PS (ORIGIN, V1, V2)</b>	<b>37 KWH 225PS (ORIGIN, V1, V2)</b>	<b>52 KWH 210PS (V1, V2, V2 LAUNCH EDITION)</b>	<b>52 KWH 225PS (VZ, VZ EXTREME)</b>
Kerb weight [with driver] (kg)	TBC	TBC	1610	1615
Permissible gross weight (kg)	TBC	TBC	2080	2090
Max. towing weight without brake (kg)	TBC	TBC	750	750
Max. towing weight with brake 12% (kg)	TBC	TBC	1200	1200



# DIMENSIONS

	37 KWH 210PS (ORIGIN, V1, V2)	37 KWH 225PS (ORIGIN, V1, V2)	52 KWH 210PS (V1, V2, V2 LAUNCH EDITION)	52 KWH 225PS (VZ, VZ EXTREME)
Max Length / width / height (mm)	4046 / 1784 / 1514	4046 / 1784 / 1514	4046 / 1784 / 1514	4046 / 1784 / 1514
Max Wheelbase (mm)	2599	2599	2599	2599
Max Track front / rear (mm)	1538/1536	1538/1536	1538/1536	1538/1536
Boot capacity (l)	441	441	441	441
Number of seats	5	5	5	5





## BATTERY

	<b>52 KWH 210PS (V1, V2, V2 LAUNCH EDITION)</b>	<b>52 KWH 225PS (VZ, VZ EXTREME)</b>
Energy (gross)	55 kWh	55 kWh
Energy (net)	51.5 kWh	51.5 kWh

## FAST CHARGING (DC)

	<b>52 KWH 210PS (V1, V2, V2 LAUNCH EDITION)</b>	<b>52 KWH 225PS (VZ, VZ EXTREME)</b>
Charging time DC 105 kW 10-80% SOC	24 mins	24 mins

## CHARGING TIME (AC)

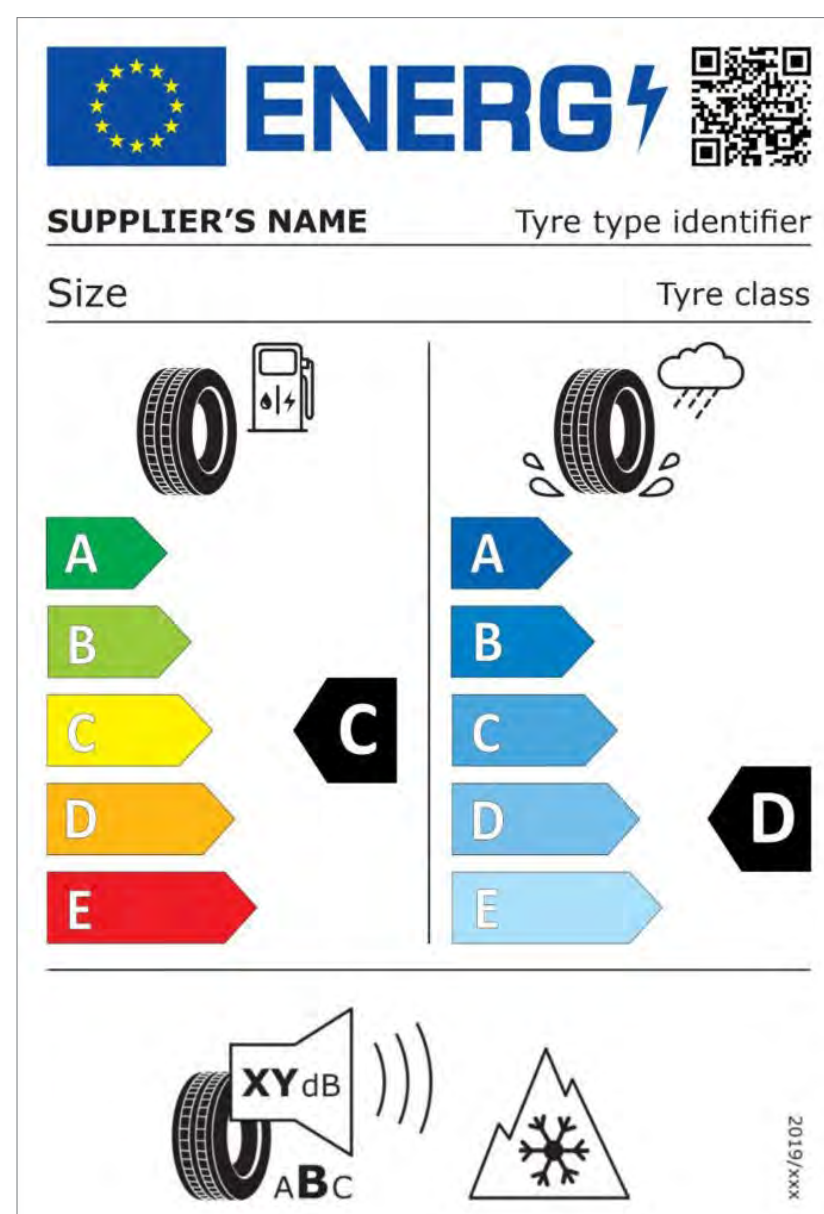
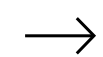
	<b>52 KWH 210PS (V1, V2, V2 LAUNCH EDITION)</b>	<b>52 KWH 225PS (VZ, VZ EXTREME)</b>
Charging time AC 11 kW 0-100% SOC	5hrs 30 mins	5hrs 30 mins



# YOUR TYRE LABEL

They may not be the first part of your CUPRA you notice, but your tyres play a vital role in keeping you on the road. Your EU tyre label tells you everything you need to know. Due to the variation of tyres that may be fitted during production, the configurator will show multiple tyre labels. It is not possible to select a specific tyre when ordering a vehicle.

You'll see more in-depth information on your tyres while configuring your car. Click [here](#) to start building your CUPRA now.



## ENERGY EFFICIENCY

This is a measure of 'rolling resistance' – in other words, the amount of energy lost through motion. The lower the rolling resistance, the lower your energy consumption, with tyres rated as Class-A being the most efficient.

## WET GRIP

Rigorous testing ensures your tyres give great handling and performance in all conditions. Wet grip specifically measures how well you can brake in wet conditions, with Grade-A giving the shortest stopping distance.

## EXTERNAL NOISE

Tyres are carefully measured so you know exactly how much noise they'll make while driving. If decibels don't mean a lot to you, don't worry. Each tyre also falls into a noise Class-A being the quietest and C the loudest.



# WARRANTIES

## **FIVE-YEAR MANUFACTURER WARRANTY**

All new CUPRA's ordered on or after 03/04/2024 in the UK, come with a five-year/90,000 mile warranty, which protects your car against the failure of most mechanical and electrical components due to manufacturing defects. This comprises a two-year manufacturer's warranty with unlimited mileage, plus a further three years up to a maximum of 90,000 miles (whichever is soonest).

## **BATTERY WARRANTY**

The batteries for battery electric vehicles (BEVs) are warranted against all defects in materials and workmanship for eight years or up to 100,000 miles, whichever comes first.

A gradual reduction in battery energy content over time is a normal feature of high voltage battery and does not constitute a warrantable defect. For BEVs, the battery energy content degradation warranty lasts for eight years or up to 100,000 miles, whichever comes first. Where the battery energy content of the high voltage battery is measured by a CUPRA authorised repairer and is found to be less than 70% during the warranty period, then it will be repaired or replaced under warranty subject to conditions. For full details, please go to the CUPRA UK website.

## **THREE-YEAR PAINT WARRANTY**

The paintwork of all models featured in this price list is covered against manufacturing defects for a period of three years. Naturally, the vehicle must be cared for in compliance with the operating instructions which will be found in your vehicle handbook. Please consult your authorised CUPRA Retailer or repairer for full warranty details.

## **TWELVE-YEAR BODY PROTECTION WARRANTY**

The internal body sections and panels of the models featured in this price list are covered against corrosion originating from internal cavities for twelve years. Naturally, the vehicle must be cared for in compliance with the operating instructions which will be found in your vehicle handbook. Please consult your authorised CUPRA Retailer or repairer for full warranty details.

## **CUPRA PARTS WARRANTY**

CUPRA parts and accessories supplied after new vehicle delivery are covered by our 24-month parts warranty.



## **CUPRA ROADSIDE ASSISTANCE (INCLUDING EUROPEAN COVER)**

Any new CUPRA purchased and registered in the UK from an authorised CUPRA Retailer, is covered free by CUPRA Assistance (including European cover) for roadside repairs or recovery to an authorised repairer for a term of one year. Terms and conditions apply.

## **SPECIFICATIONS**

Specifications refer to Model Year 2027. While CUPRA makes every effort to make sure that specifications are accurate at time of going to press (06/2026), you should always check details with your CUPRA Retailer as there may have been changes in view of CUPRA's policy of continuous product improvement. The right is reserved to change specification and colour at any time. The information in this price list can therefore be given as guidance only.



CUPRA is committed to a policy of continuous product development and reserves the right to make changes to specifications, colours and prices without notice. The information in this brochure can therefore be given as guidance only. While CUPRA makes every effort to ensure that specifications are accurate at the time of publication, you should always check with your authorised CUPRA Retailer for the latest information. Due to limitations of the printing process, the colours reproduced in this brochure may vary slightly from the actual paint colour and material. This vehicle and all its parts, as well as the original spares, were designed according to the Legal Regulations governing the prevention and minimisation of Environmental Impact, through the use of recycled/recyclable materials, with measures taken to achieve suitable recycling for the conservation and improvement of environmental quality.

Published in the UK, June 2026

12501173\_062026

CUPRA